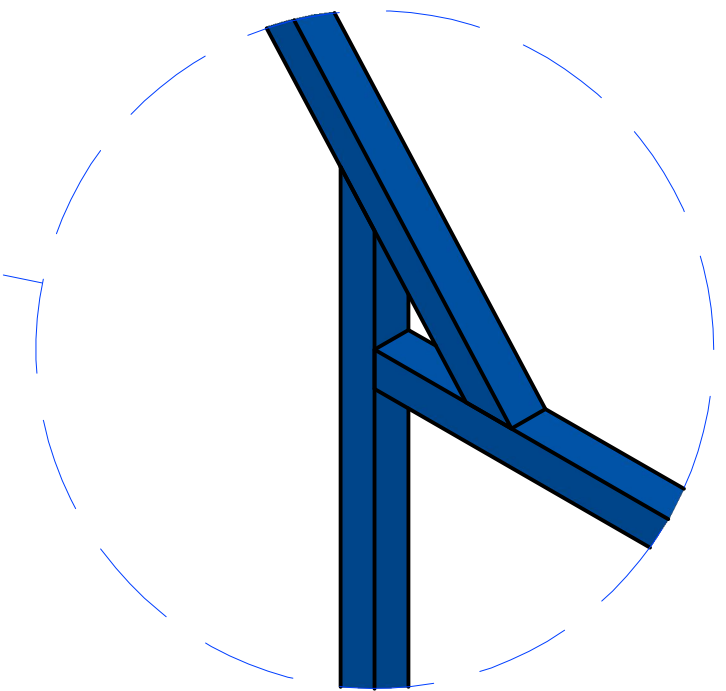
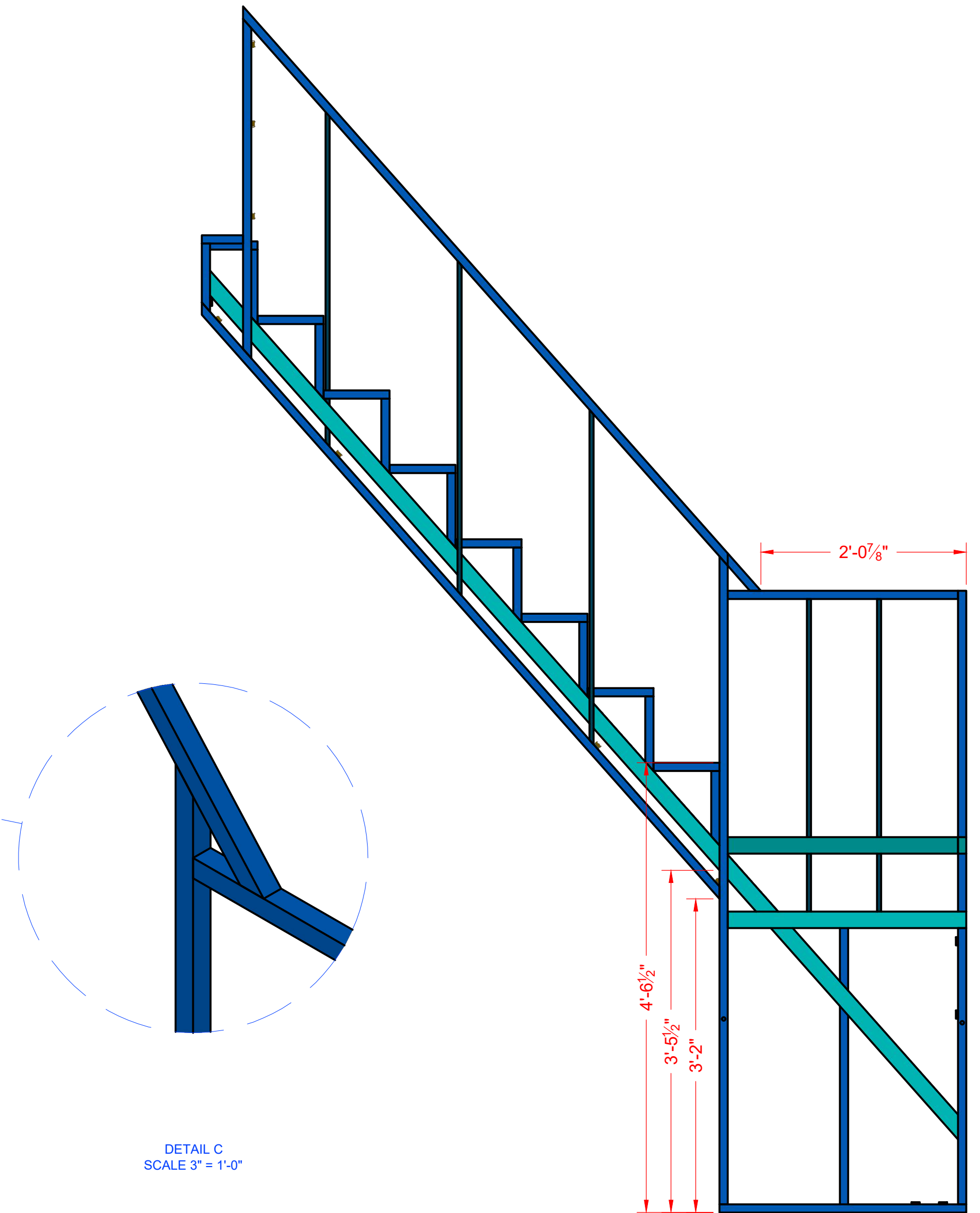
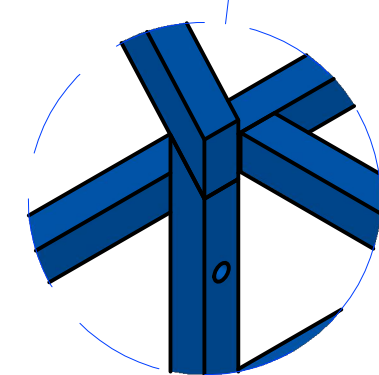
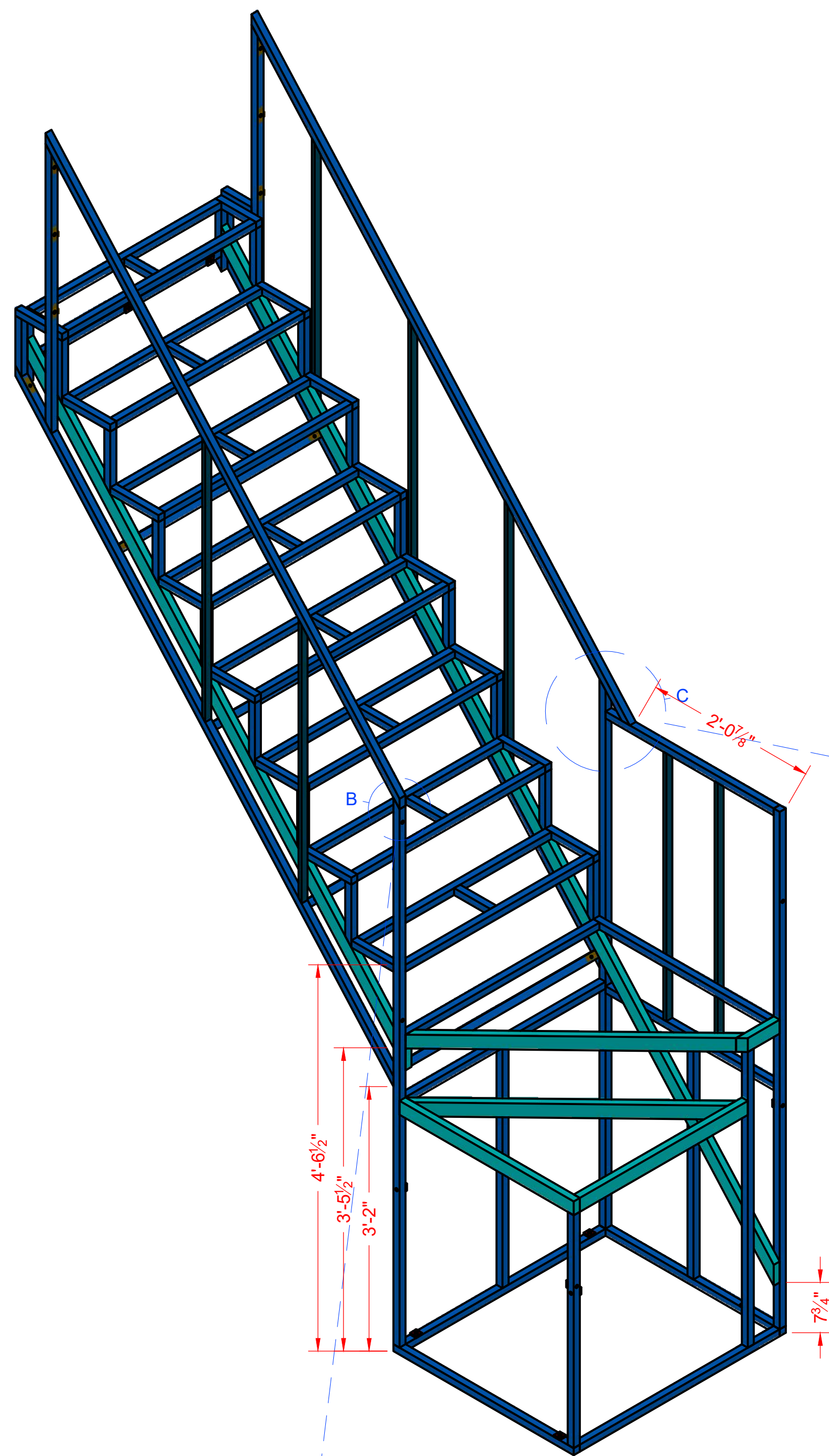
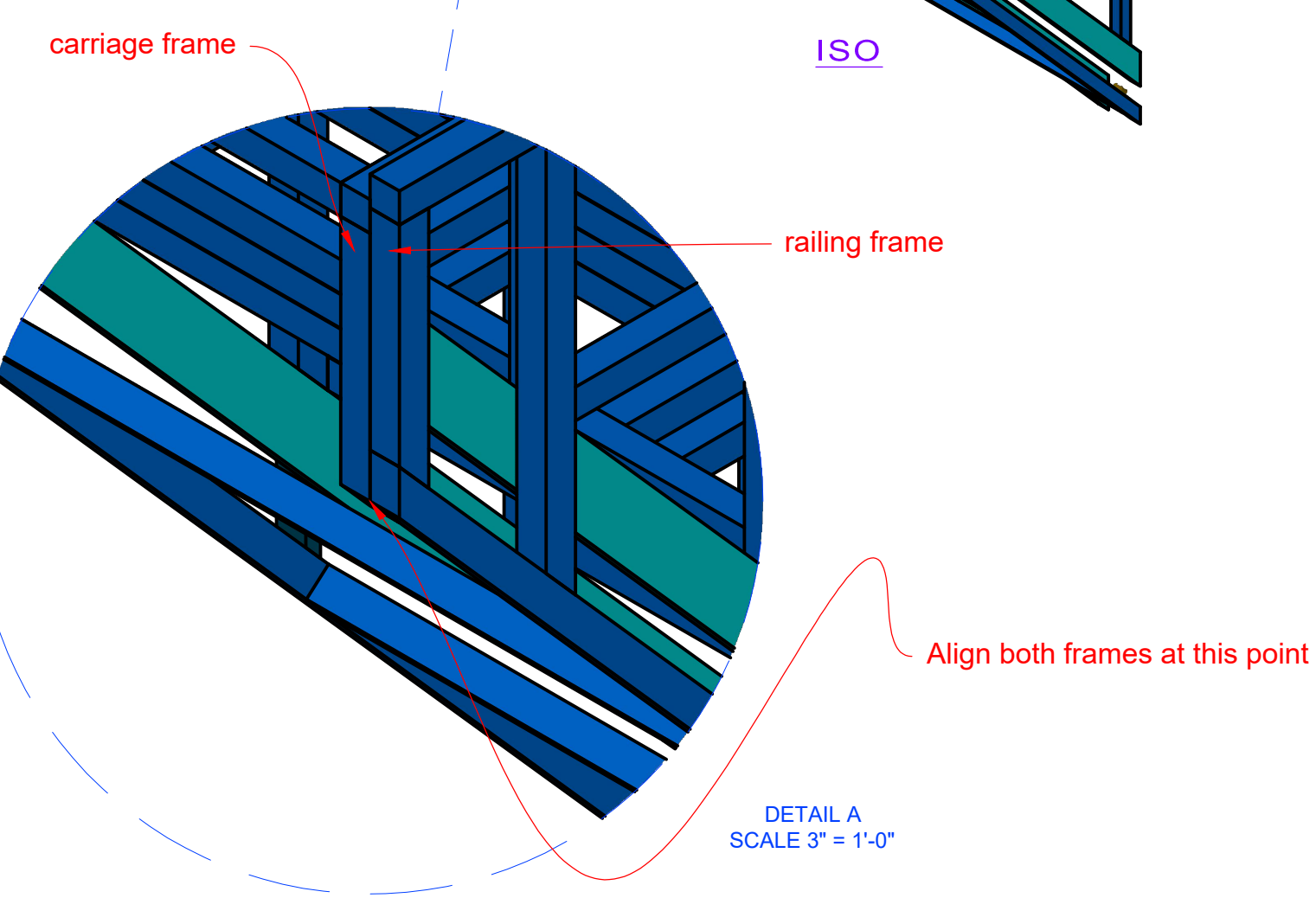


1 Carriage-Railings Assembly  
 440D Views as Noted 1"=1'-0"  
 Line up and tack weld points on the carriage and railing as shown in Detail A  
 Use the dimensions in the side view to align the carriage and railing to each other



2 Stairs-Landing Assembly  
 440D Views as Noted 1"=1'-0"  
 Attach the stairs to the landing as shown.  
 Note Details B & C, showing the connections at the bottom of each railing



<p><b>GUTHRIE THEATER</b>        818 South 2nd Street        Minneapolis, MN 55415        Phone: (612) 225 - 6400</p>	<b>A Christmas Carol</b>		<p><b>440D</b></p>
	Wurtele Thrust		
	440	Upper Stairs Assembly	
	DIRECTOR: Joseph Haj		
	DESIGNER: Matt Saunders		
	TECH DIR: Jim Gangl	ATD: ATD	
	DWG BY: John Stillwell		
	DWG DATE: 2/10/2022	PLOT DATE: 3/14/2023	
	REV DATE:		
	SCALE: AS NOTED		
FILE: 440-Stairs.dwg			