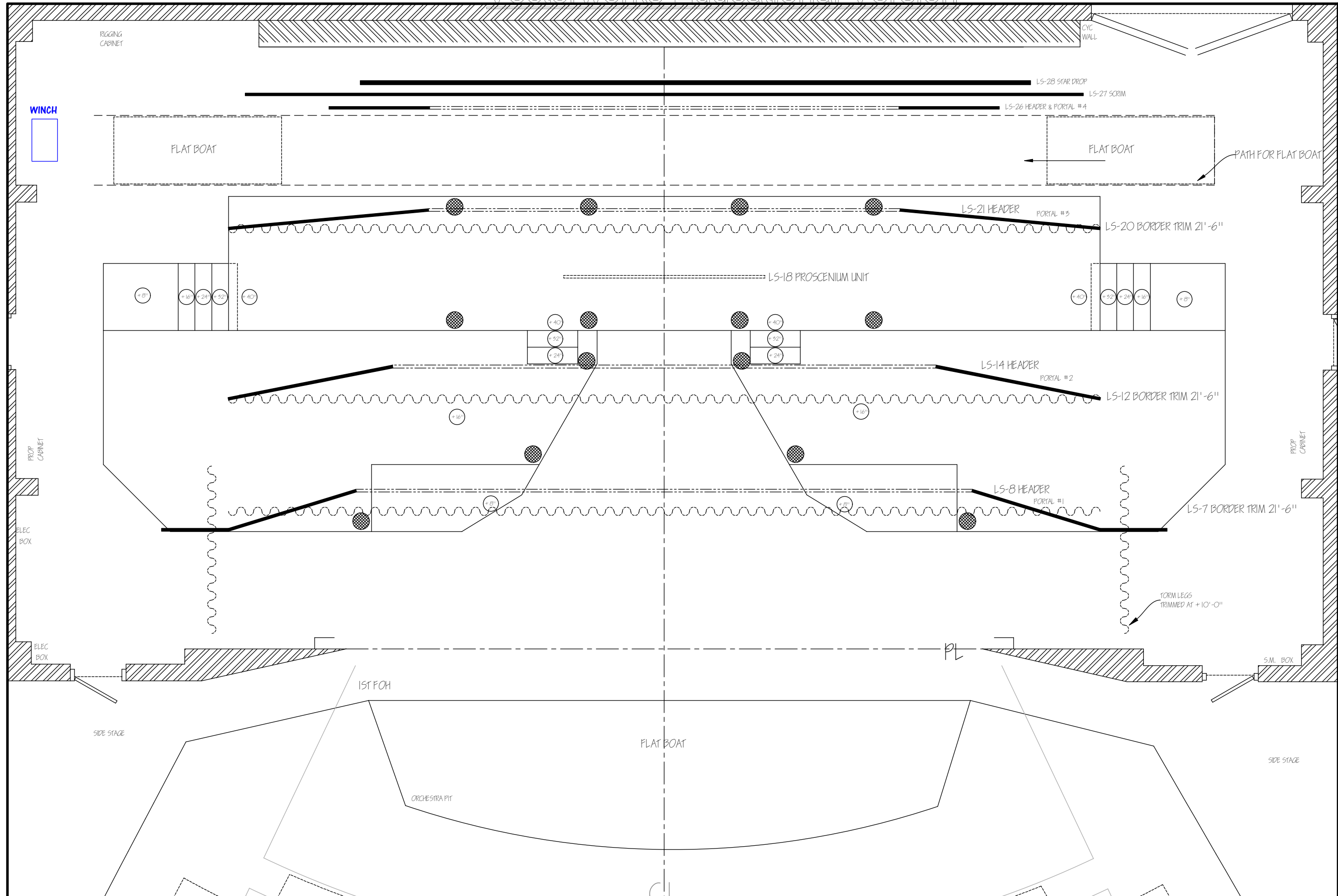


McLeod Summer Playhouse

BIG RIVER

TECHNICAL DESIGN PACKETT

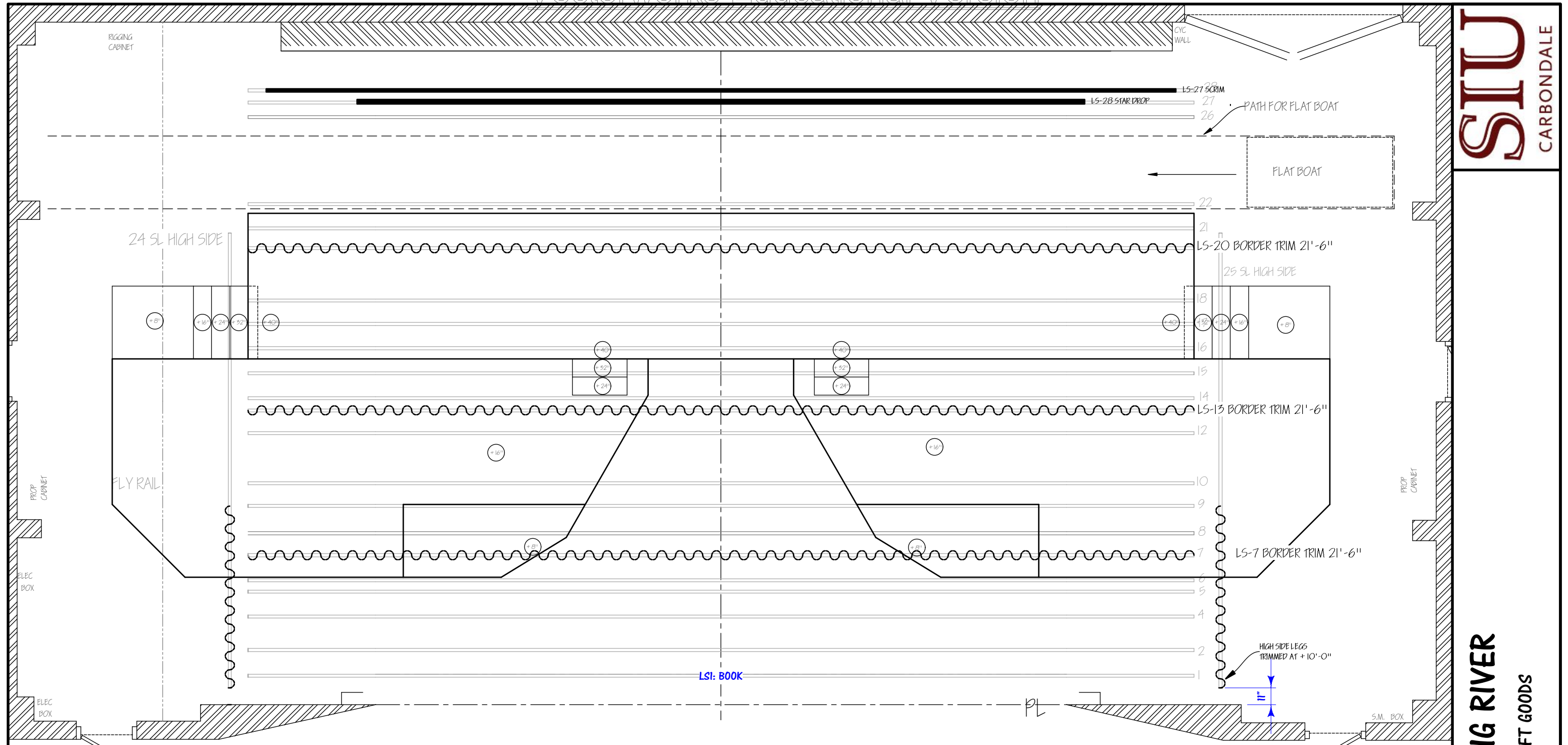
TECHNICAL DIRECTOR: THOMAS K FAGERHOLM



SIU
CARBONDALE

BIG RIVER
GROUNDPLAN

| | |
|---------------------|----------------------|
| DATE #: | TD 1 |
| DESIGNER: | MARK VARNIS |
| DIRECTOR: | CODY WALKER |
| TECHNICAL DIRECTOR: | TOM FAGERHOLM |
| DRAFTSMAN: | TKF |
| DATE: | 6/2/15 |
| SCALE: | 3/16"=1'-0" |

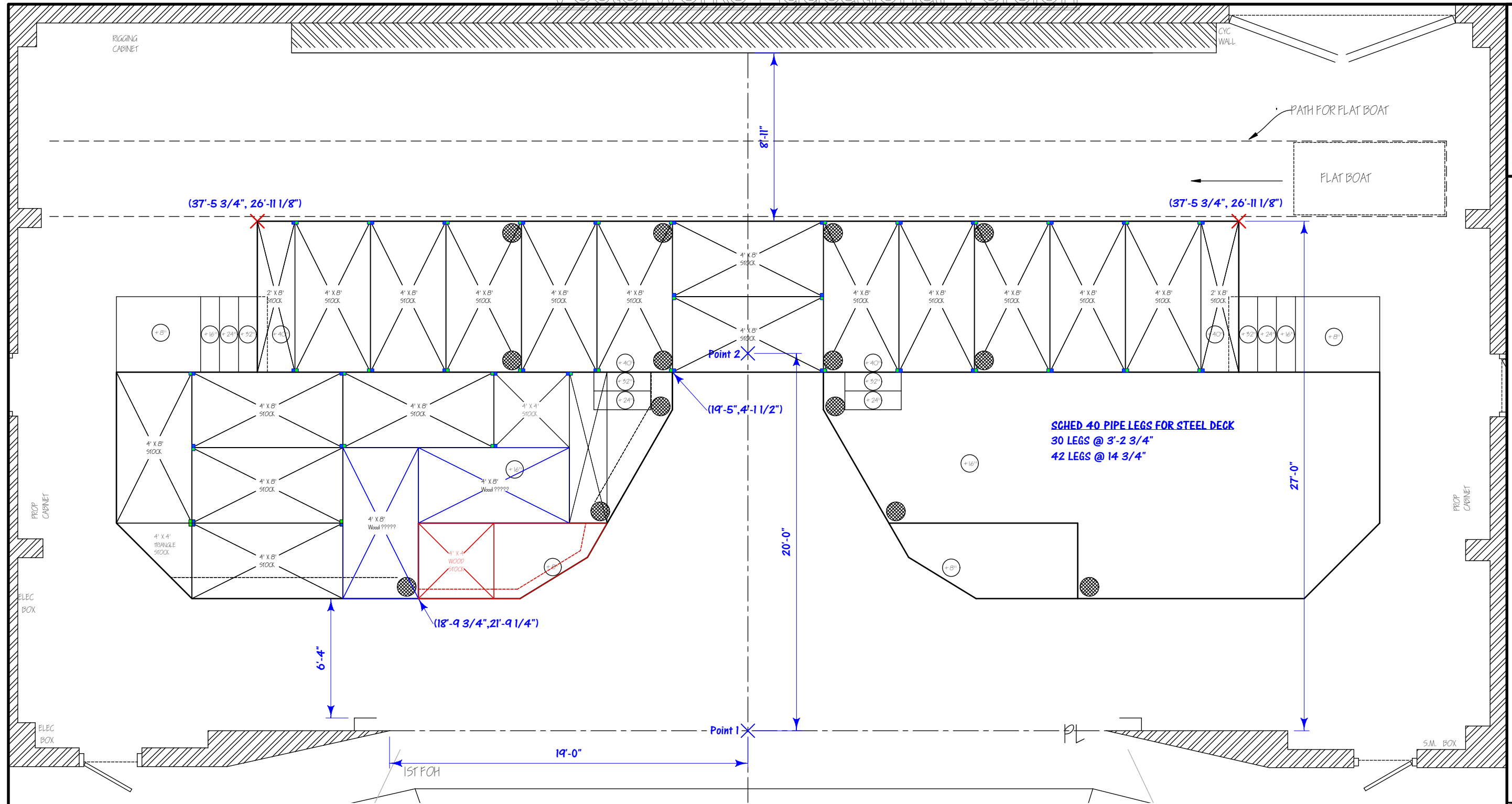


SIU
CARBONDALE

BIG RIVER
SOFT GOODS

NOTES:
 PULL ALL EXTRANEIOUS SOFT GOODS
 FOLD, LABEL, PLACE IN HAMPER WITH APPROPRIATE LABEL ON INSIDE OF LID & MOVE LABEL TO OUTSIDE OF LID
 -OR-
 FOLD, LABEL, PLACE IN HAMPER WITH 'LIKE' ITEMS & PLACE NEW LABEL ON OUTSIDE OF LID
 MOVE SOFT BORDERS TO APPROPRIATE PIPES/LINESETS AND RE-WEIGHT (DOUBE PURCHASE SYSTEM = DOUBLE WEIGHT)
 ADJUST LEGS ON HIGH-SIDE TABS
 MOVE AND LET DOWN SCRIM (SHOULD BE CURRENTLY WEST-COASTED)
 SEE TOM ABOUT APPROPRIATE RE-WEIGHTING PROCEDURES FOR MSP

| | |
|---------------------|---------------|
| DATE #: | TD 2 |
| DESIGNER: | MARK VARNIS |
| DIRECTOR: | CODY WALKER |
| TECHNICAL DIRECTOR: | TOM FAGERHOLM |
| DRAFTSMAN: | TKF |
| DATE: | 6/3/15 |
| SCALE: | 3/16"=1'-0" |



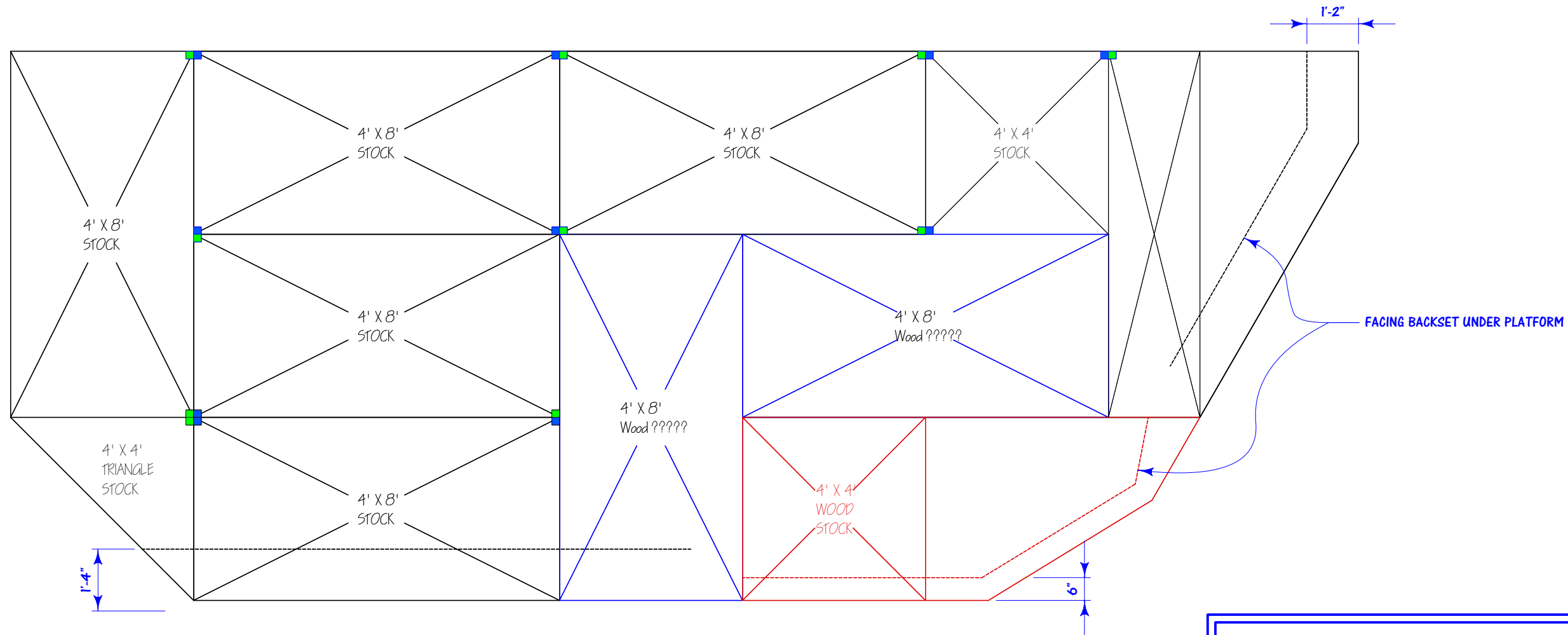
BIG RIVER
PLATFORM LAYOUT

| | |
|---------------------|---------------|
| DATE #: | TD 3 |
| DESIGNER: | MARK VARNIS |
| DIRECTOR: | CODY WALKER |
| TECHNICAL DIRECTOR: | TOM FAGERHOLM |
| DRAFTSMAN: | TKF |
| DATE: | 6/3/15 |
| SCALE: | 3/16"=1'-0" |

KEY:

2 POINT LAYOUT
MEASUREMENTS READ AS
(Point 1, Point 2)
SET IS SYMMETRICAL
PLACE SCREW AT Point 1 AND Point 2
HOOK TAPE MEASURES ON EACH SCREW
CONNECT POINTS & MARK ON FLOOR WITH PAINT PEN

■ 1 1/2" STEEL DECK PIPE LEG
■ STEEL DECK CHEESEBORO COUPLING

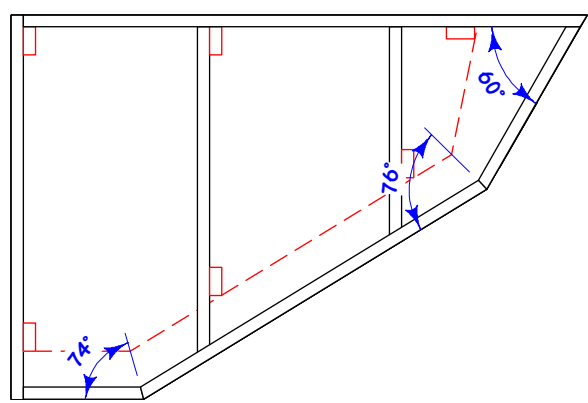
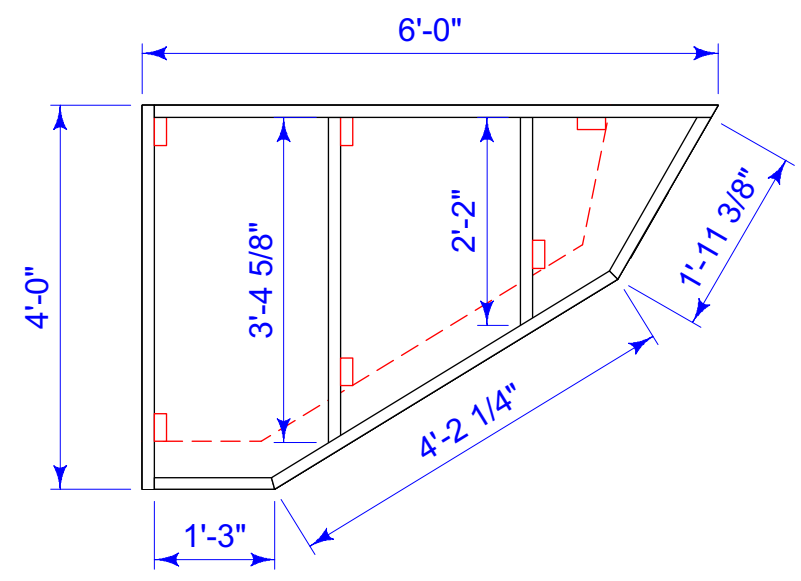


1 STAGE RIGHT LOWER PLATFORM LAYOUT
Scale: 3/8" = 1'-0"

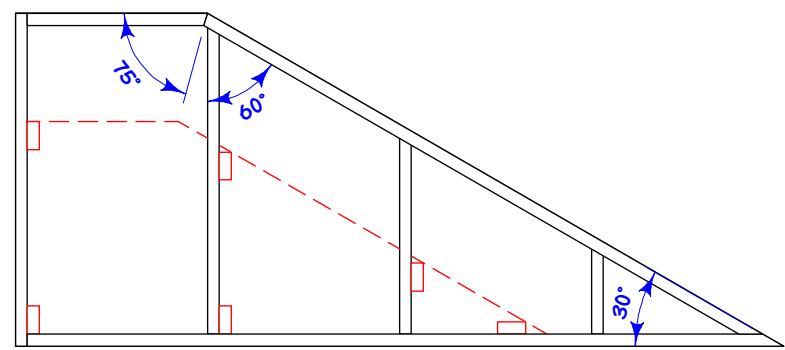
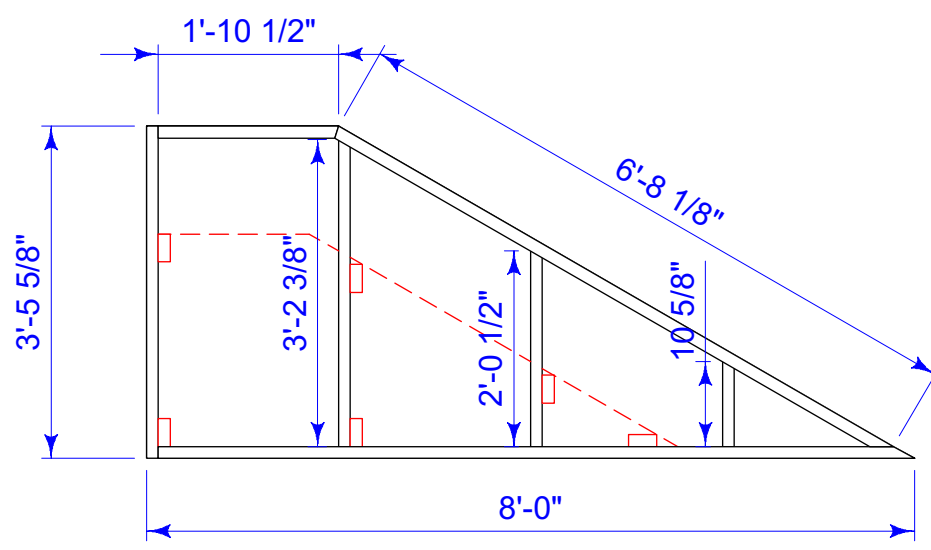
- SCHED 40 1 1/2" PIPE LEGS FOR STEEL DECK**
APPROX 64 LEGS @ 14 3/4"
32 PER SIDE
- 1 1/2" STEEL DECK PIPE LEG
 - STEEL DECK CHEESEBORO COUPLING
- 2X4 WOOD LEGS**
24 @ 15"
16 @ 7"

BIG RIVER
PLATFORM LAYOUT DOWNSTAGE SECTION

| | |
|---------------------|---------------|
| DATE #: | TD 4 |
| DESIGNER: | MARK VARNIS |
| DIRECTOR: | CODY WALKER |
| TECHNICAL DIRECTOR: | TOM FAGERHOLM |
| RAFTSMAN: | DRAFTED BY |
| DATE: | 6/3/15 |
| SCALE: | 3/8"=1'-0" |



1 Dock Platform 1
Scale: 1/2" = 1'-0"

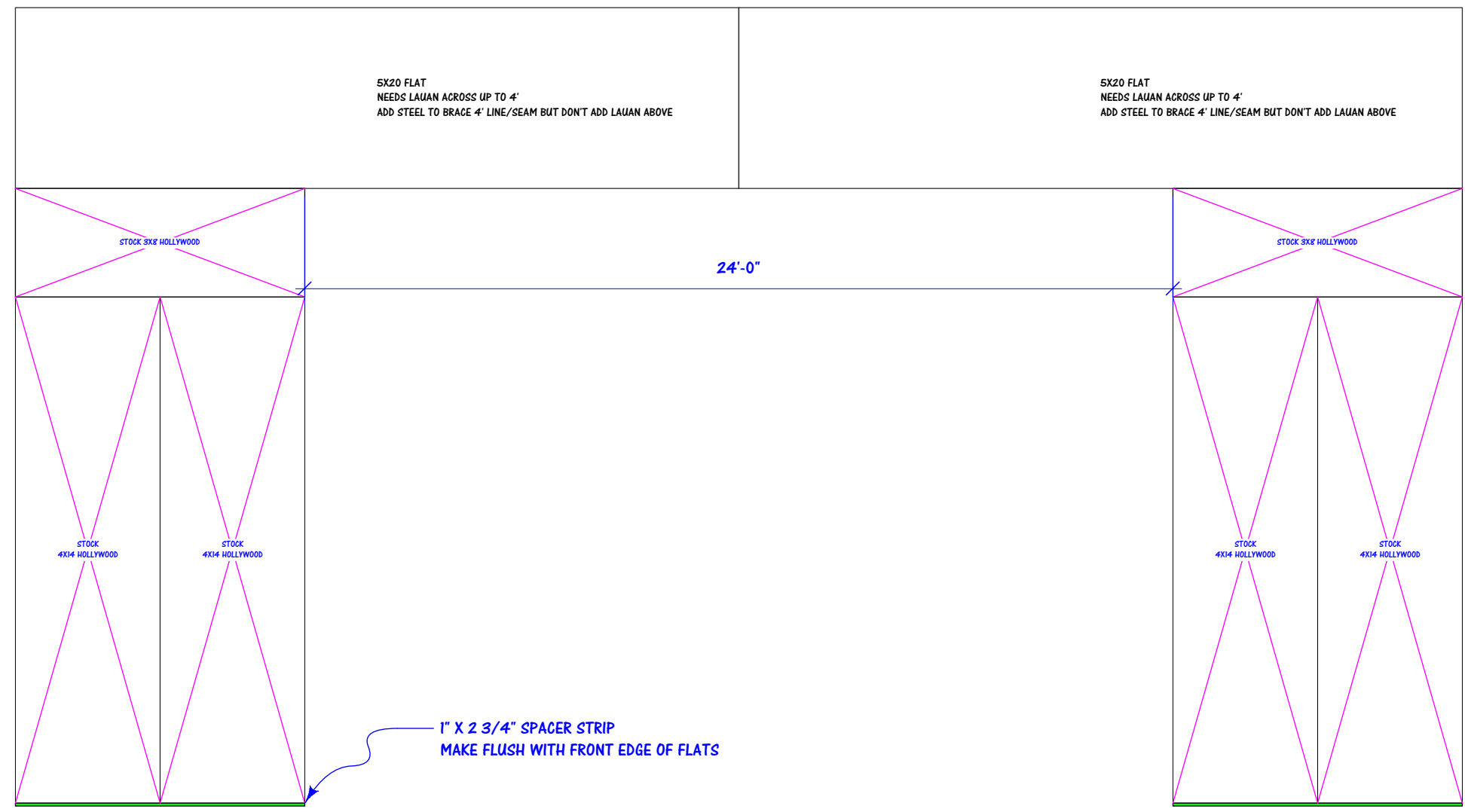


2 Dock Platform 2
Scale: 1/2" = 1'-0"

BIG RIVER
Dock Platforms

| | |
|---------------------|---------------|
| Date #: | TD 4.5 |
| Designer: | MARK VARNIS |
| Director: | CODY WALKER |
| Technical Director: | TOM FAGERHOLM |
| Draftsman: | TKF |
| Date: | 6/4/15 |
| Scale: | 1/2"=1'-0" |

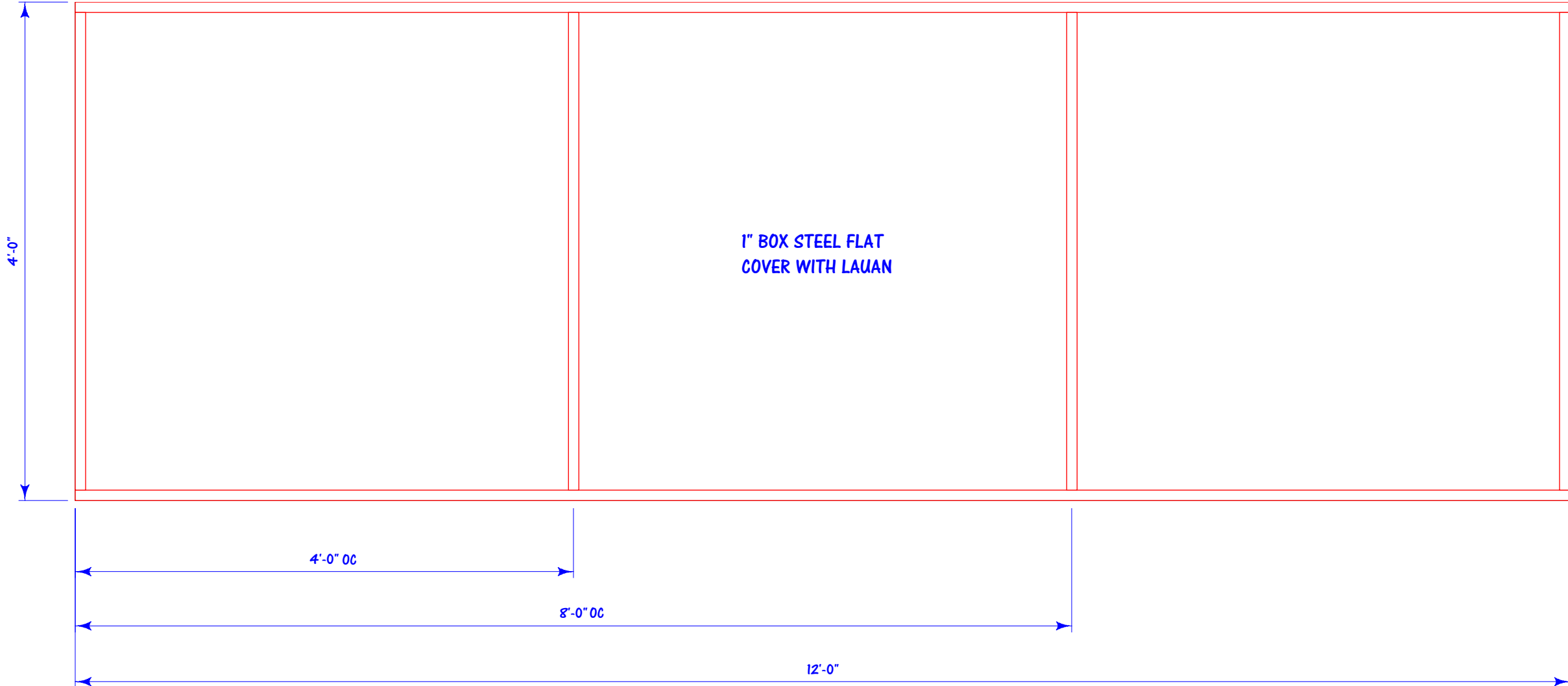
NOTES
 BOLT 5X20' FLATS TOGETHER
 3/8" HARDWARE
 RIG WITH 3/8" EYE BOLTS TO HANG ON LS 26
 USE TRIM CHAIN, 1/8" CABLE & TURNBUCKLES
 AFTER RIGGEED AND HUNG, APPLY FOAM PLANKS - SEE TOM



1 PORTAL 4 ELEVATION
Scale: Actual Size

BIG RIVER
PORTAL 4 CONSTRUCTION

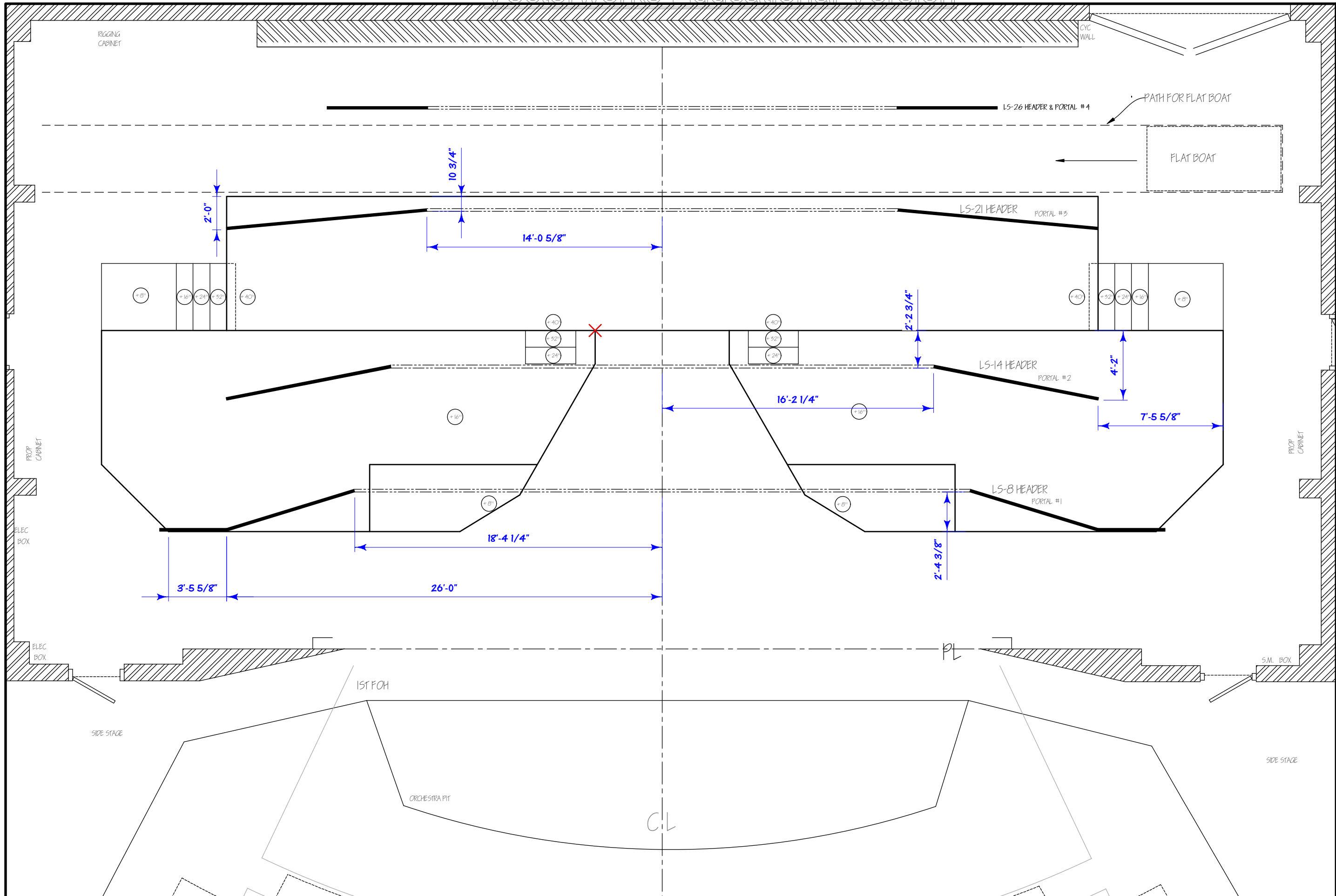
| | |
|---------------------|---------------|
| Date #: | TD 5 |
| Designer: | MARK VARNIS |
| Director: | CODY WALKER |
| Technical Director: | TOM FAGERHOLM |
| Draftsman: | TKF |
| Date: | 6/8/15 |
| Scale: | 1/4"=1'-0" |



1 REAR ELEVATION
Scale: 1" = 1'-0"

BIG RIVER
PORTAL 3 4x12 FLAT

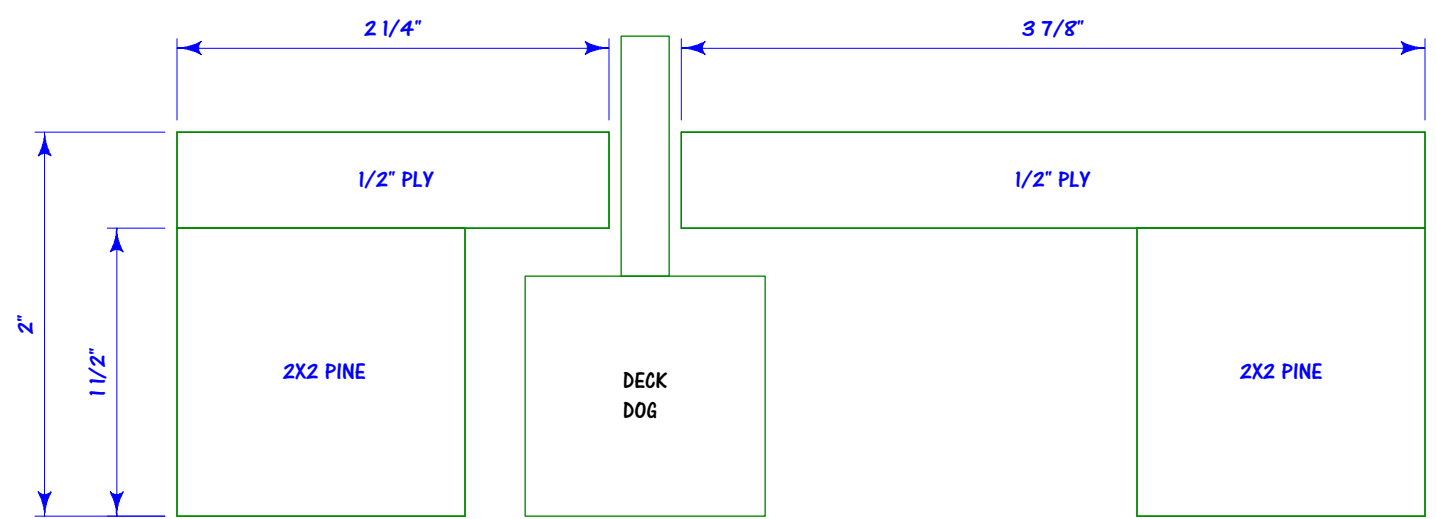
| | |
|---------------------|---------------|
| Plate #: | TD 6 |
| Designer: | MARK VARNIS |
| Director: | CODY WALKER |
| Technical Director: | TOM FAGERHOLM |
| Draftsman: | TKF |
| Date: | 6/8/15 |
| Scale: | 1"=1'-0" |



SIU
CARBONDALE

BIG RIVER
PORTAL POSITIONS

| | |
|---------------------|----------------------|
| DATE #: | TD 7 |
| DESIGNER: | MARK VARNIS |
| DIRECTOR: | CODY WALKER |
| TECHNICAL DIRECTOR: | TOM FAGERHOLM |
| DRAFTSMAN: | TKF |
| DATE: | 6/3/15 |
| SCALE: | 3/16"=1'-0" |

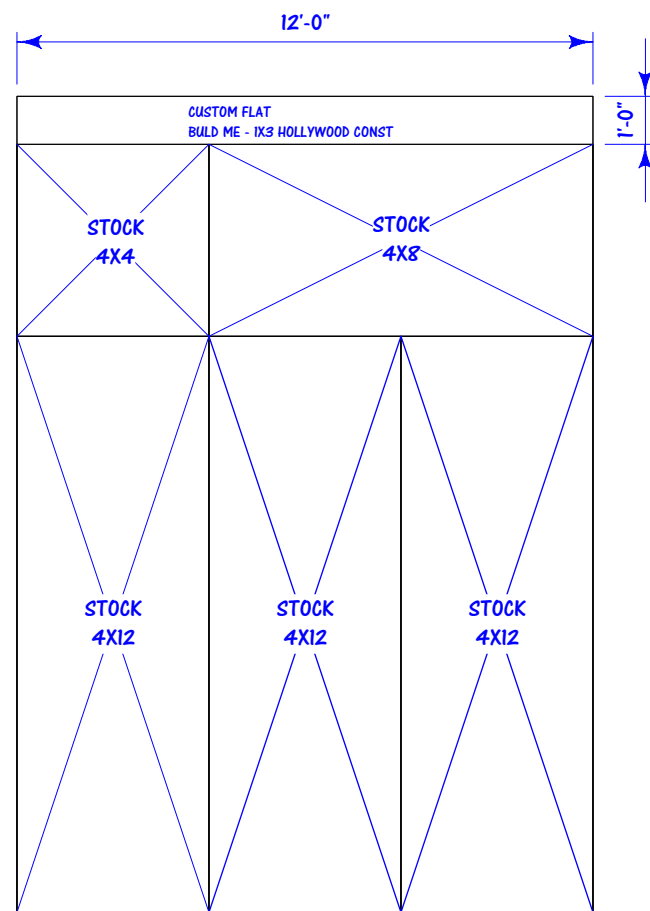


1 DECK TRACK DETAIL
 TD 8 Scale: Actual Size

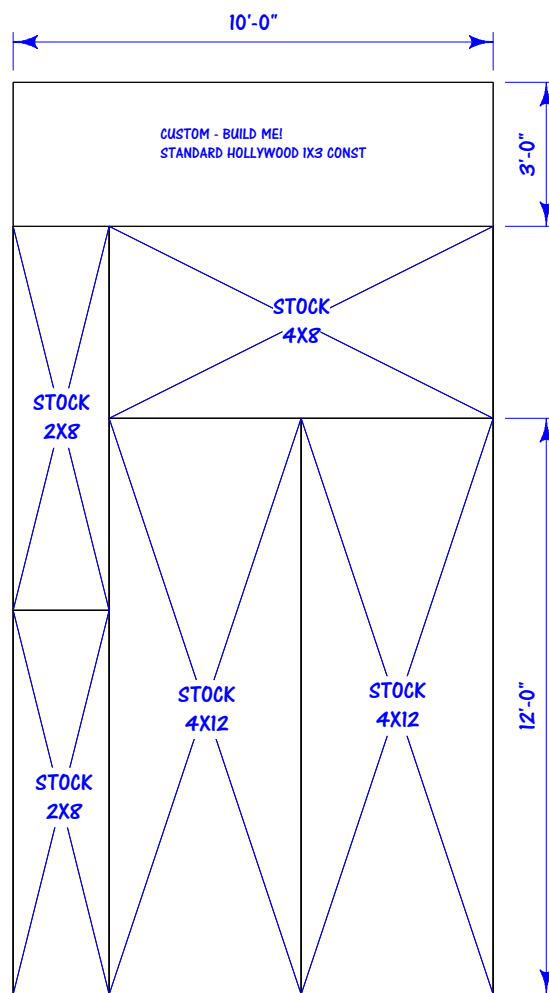
NOTES:
 BUILD 70' OF TRACK
 USE SCRAP WHERE POSSIBLE
 BUILD SO PLY OVERHANGS ONE END 1'-0"
 IS INSET OPPOSITE END 1'-0"
 TO ALLOW LINKING TOGETHER

BIG RIVER
 DECK TRACK DETAIL

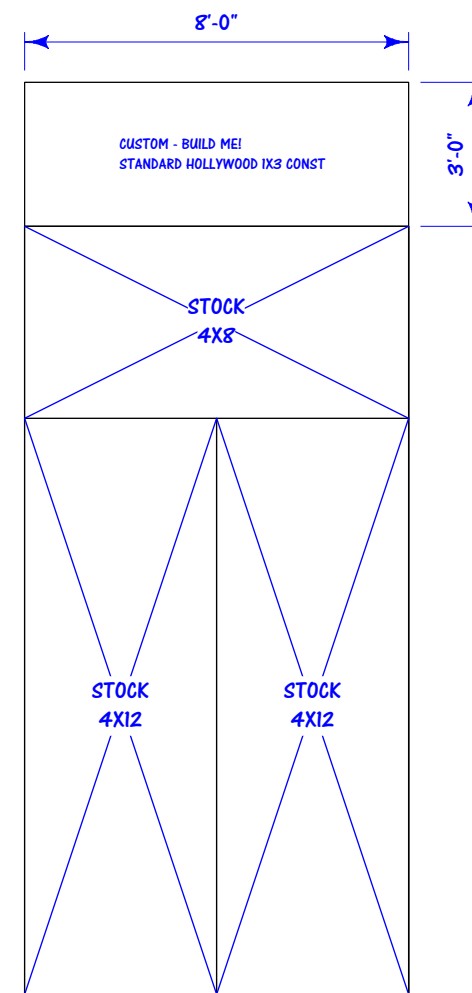
| | |
|---------------------|---------------|
| DATE #: | TD 8 |
| DESIGNER: | MARK VARNIS |
| DIRECTOR: | CODY WALKER |
| TECHNICAL DIRECTOR: | TOM FAGERHOLM |
| DRAFTSMAN: | TKF |
| DATE: | 6/6/15 |
| SCALE: | FULL SCALE |



1 **PORTAL 3 LEG CONFIGURATION**
Scale: 1/4" = 1'-0"

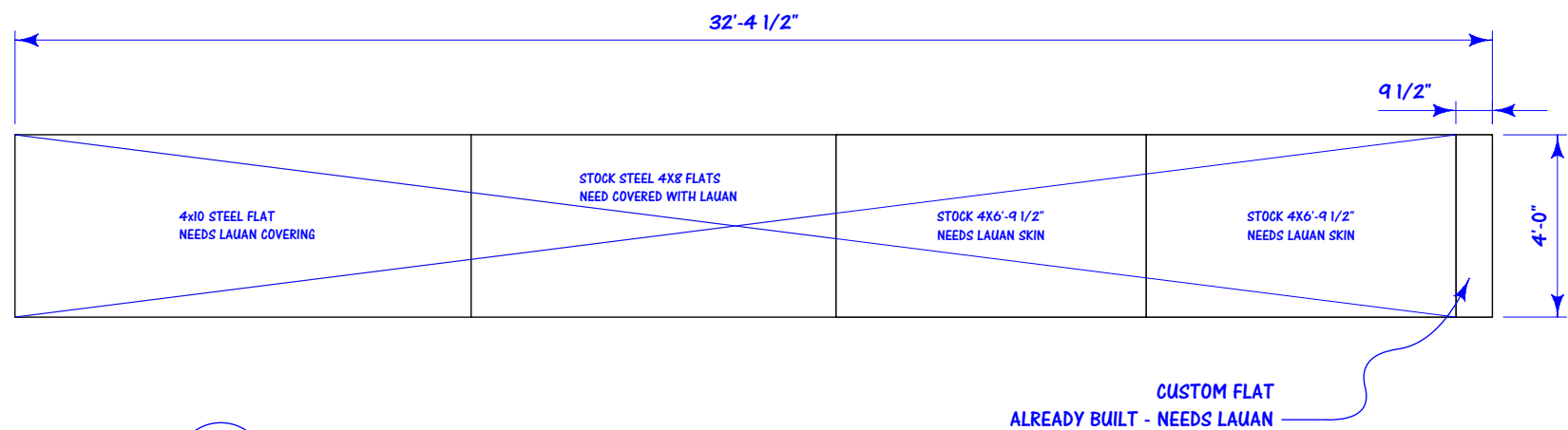


2 **PORTAL 2 LEG CONFIGURATION**
Scale: 1/4" = 1'-0"

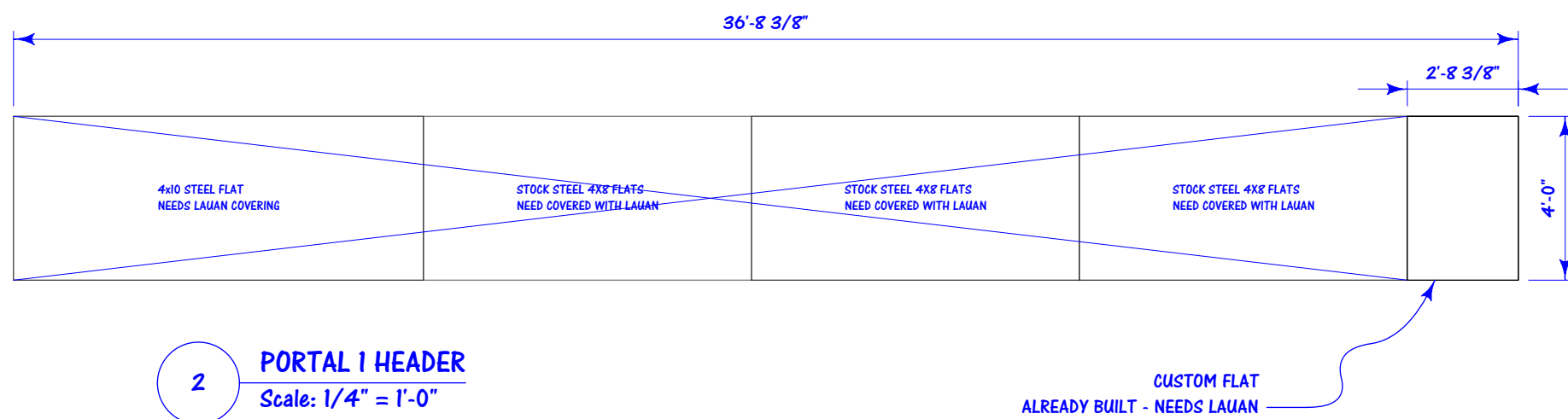


3 **PORTAL 1 LEG CONFIGURATION**
Scale: 1/4" = 1'-0"

| | |
|---------------------|----------------------|
| Date #: | TD 9 |
| Designer: | MARK VARNIS |
| Director: | CODY WALKER |
| Technical Director: | TOM FAGERHOLM |
| Draftsman: | TKF |
| Date: | 6/10/16 |
| Scale: | 1/4"=1'-0" |



1 **PORTAL 2 HEADER**
Scale: 1/4" = 1'-0"

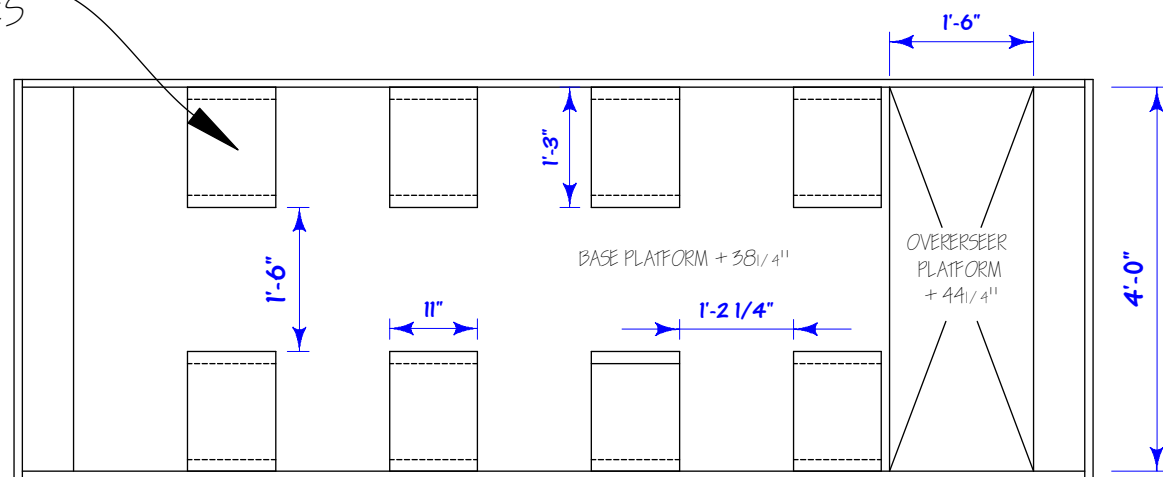


2 **PORTAL 1 HEADER**
Scale: 1/4" = 1'-0"

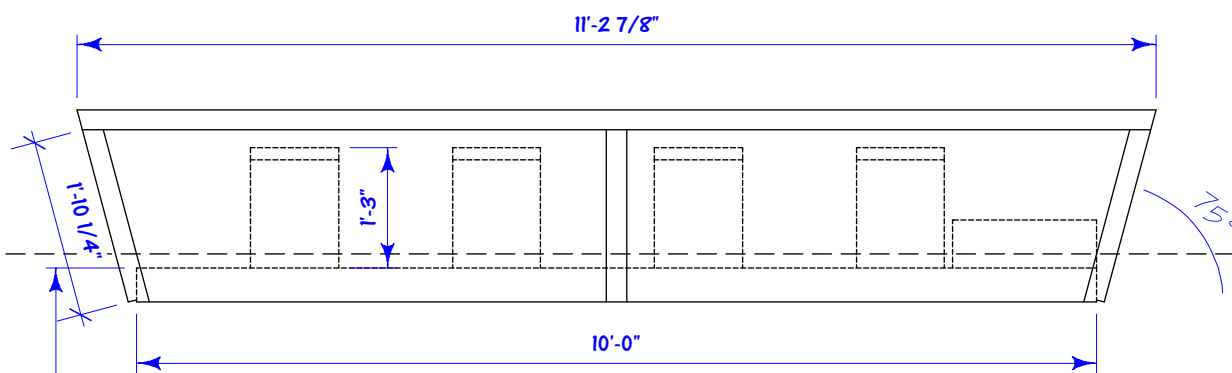
BIG RIVER
PORTALS 1 & 2 HEADERS

| | |
|---------------------|----------------------|
| Plate #: | TD 10 |
| Designer: | MARK VARNIS |
| Director: | CODY WALKER |
| Technical Director: | TOM FAGERHOLM |
| Draftsman: | TKF |
| Date: | 6/10/15 |
| Scale: | 1/4" = 1'-0" |

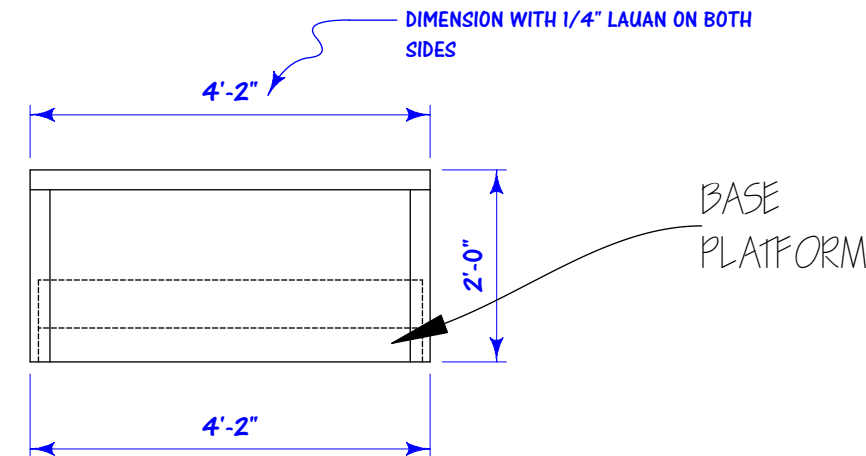
2 X 12
BENCHES



TOP



SIDES BUILD 2



ENDS BUILD 2

STAGE
FLOOR

FLAT BOAT

NOTE:
LUAN WITH 1 X 3 FRAME
OVER 4' X 10' PLATFORM

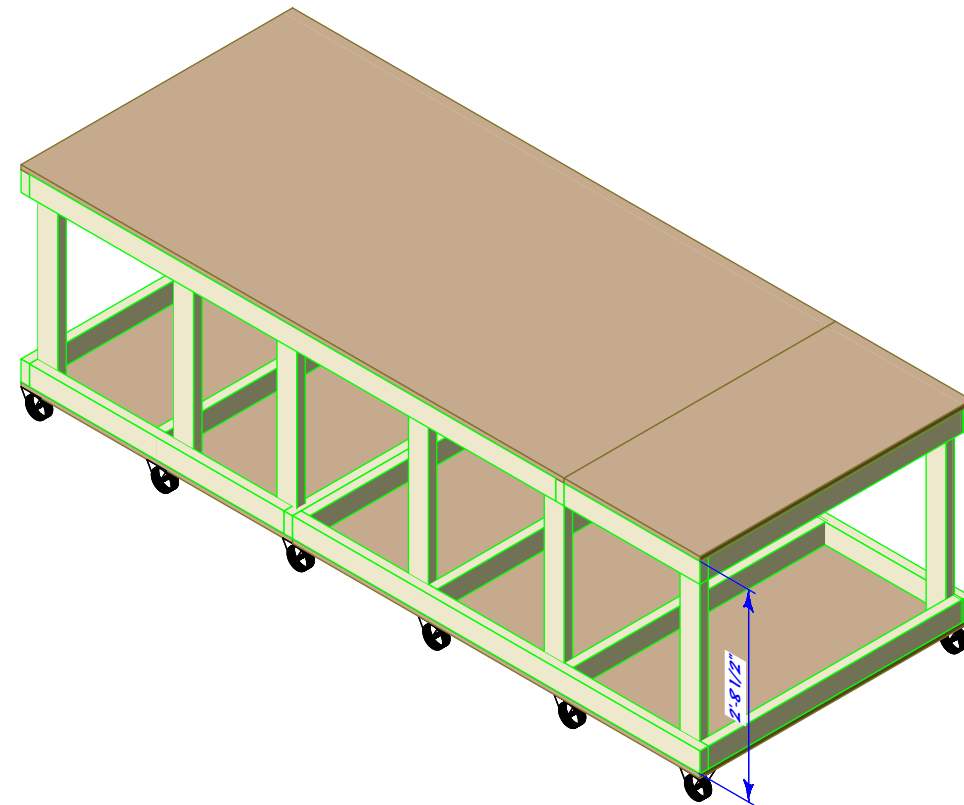
BIG RIVER
FLAT BOAT

| | |
|---------------------|----------------------|
| Plate #: | TD 11 |
| Designer: | MARK VARNIS |
| Director: | CODY WALKER |
| Technical Director: | TOM FAGERHOLM |
| Draftsman: | MARK VARNIS |
| Date: | 6/10/15 |
| Scale: | 1/4" = 1'-0" |

NOTES:

BOTTOM = 4X6 PLATFORM BOLTED TO 4X4 PLATFORM UPSIDEDOWN FOR EASE OF LEG ATTACHMENT
TOP = 4X8 PLATFORM BOLTED TO 2X4 PLATFORM RIGHT SIDE UP

LEGS ARE 2'-8 7/8"
PLACEMENT DIMENSIONS NOT CRITICAL
CASTERS ON ONE EDGE TO BE INSET 3/4"



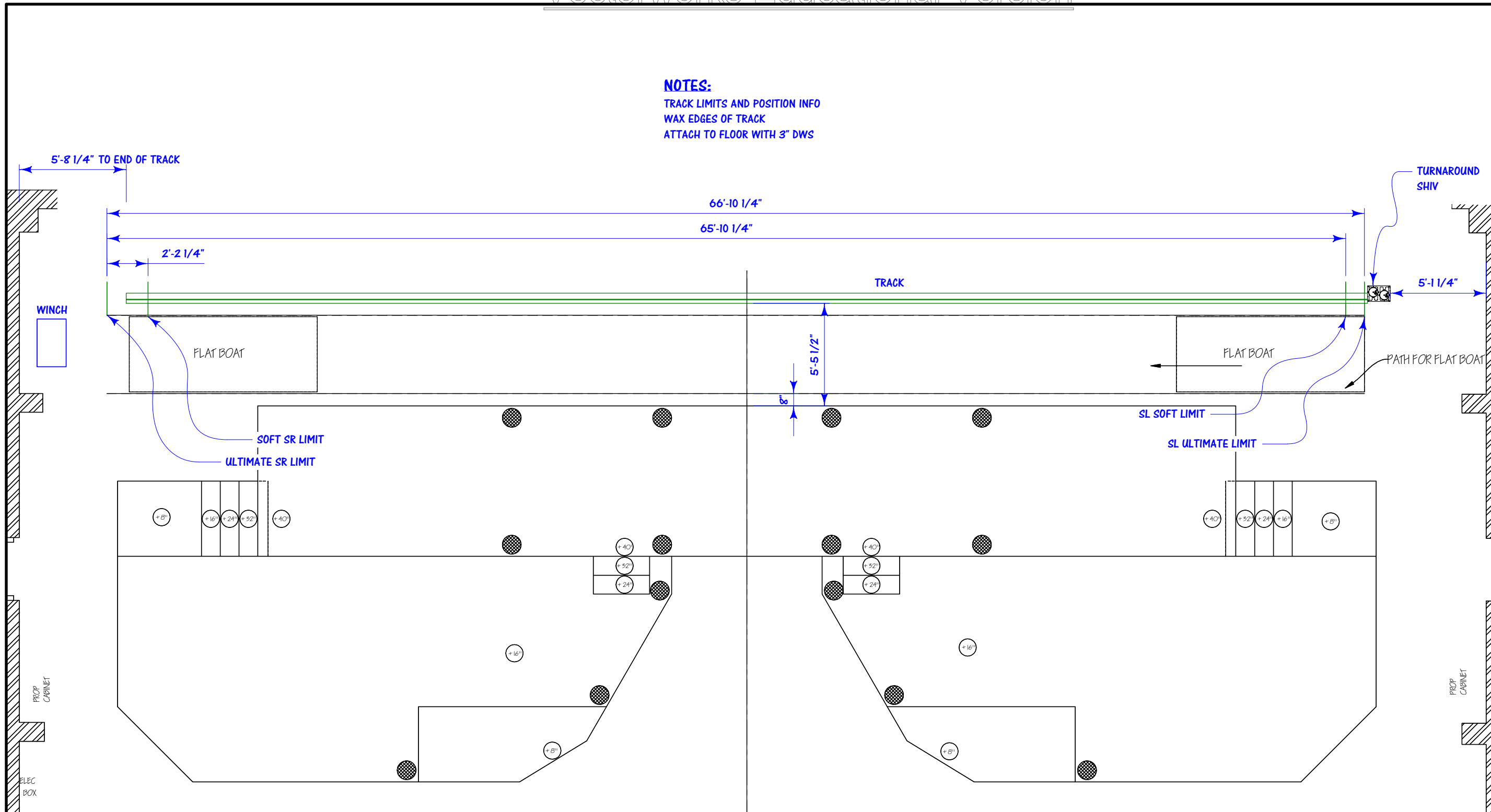
1 **FLAT BOAT WAGON**
Scale: 1/2" = 1'-0"

SIJU
CARBONDALE

BIG RIVER
FLAT BOAT PLATFORM

| | |
|---------------------|----------------------|
| Date #: | TD 12 |
| Designer: | MARK VARNIS |
| Director: | CODY WALKER |
| Technical Director: | TOM FAGERHOLM |
| Draftsman: | TKF |
| Date: | 6/11/15 |
| Scale: | 1/2"=1'-0" |

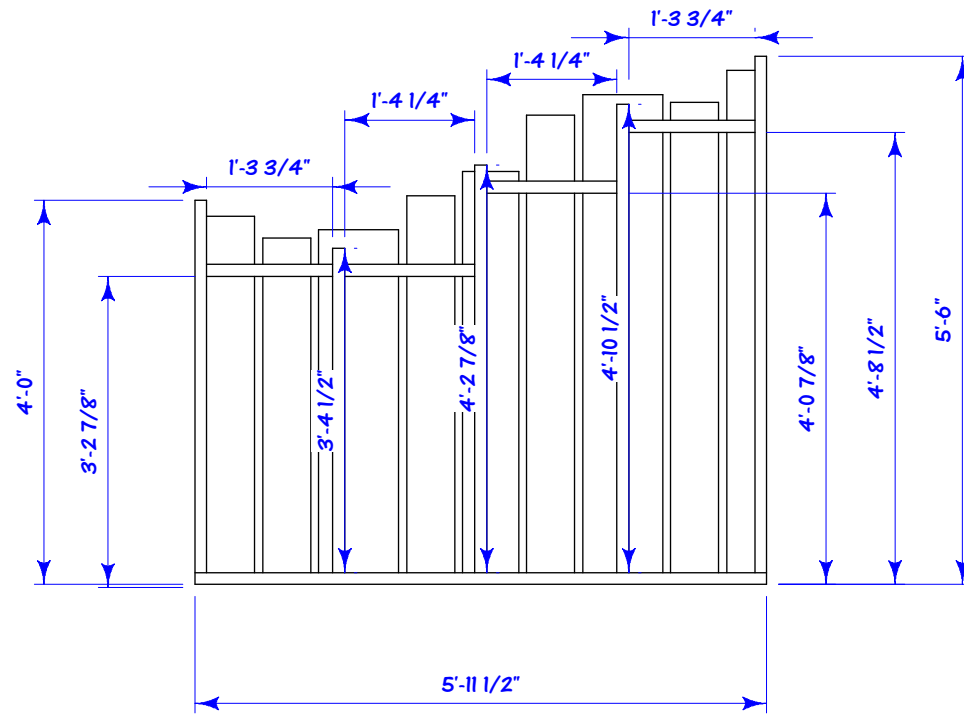
NOTES:
 TRACK LIMITS AND POSITION INFO
 WAX EDGES OF TRACK
 ATTACH TO FLOOR WITH 3" DWS



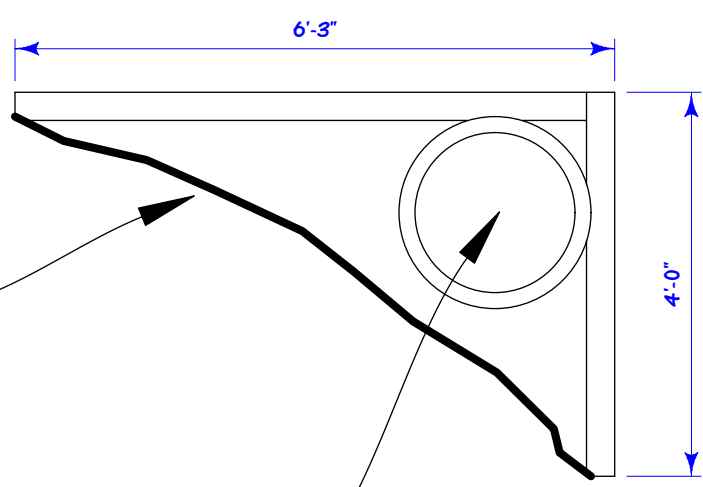
SIU
 CARBONDALE

BIG RIVER
 FLAT BOAT

| | |
|---------------------|----------------------|
| Plate #: | TD 13 |
| Designer: | MARK VARNS |
| Director: | CODY WALKER |
| Technical Director: | TOM FAGERHOLM |
| Draftsman: | TKF |
| Date: | 6/10/15 |
| Scale: | 3/16" = 1'-0" |

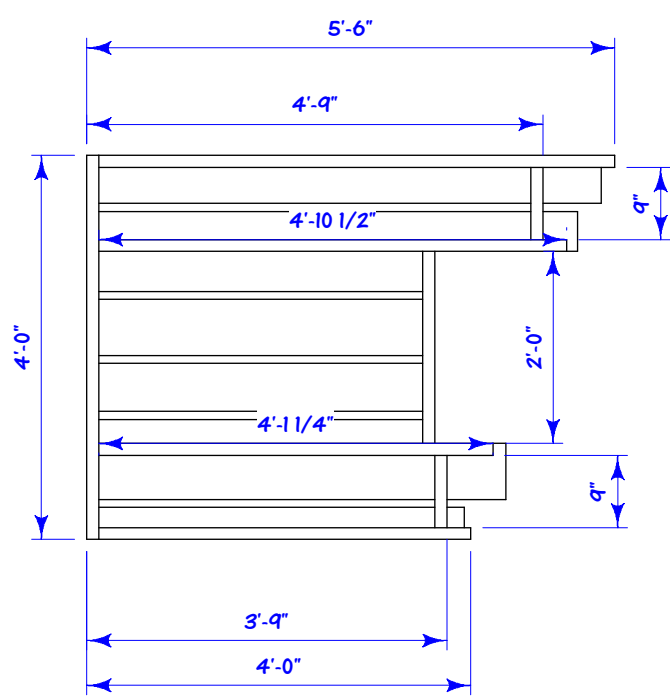


NOTE:
2 X 4 "STUD" WALL FRAMING
COVER EXTERIOR WITH RANDOM WIDTH
ROUGH SAWN UMBER



3/4" OSB OR PLYWOOD
SKID WITH UHMW GLIDES

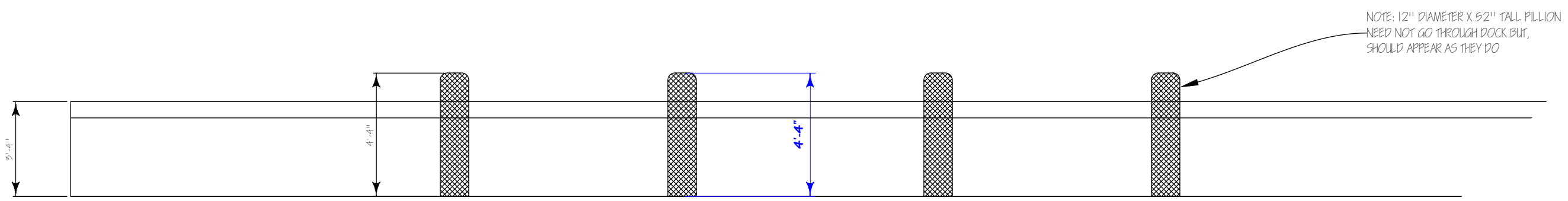
FAUX BARREL TO
HIDE DIAGONAL WALL BRACE



SHED UNIT

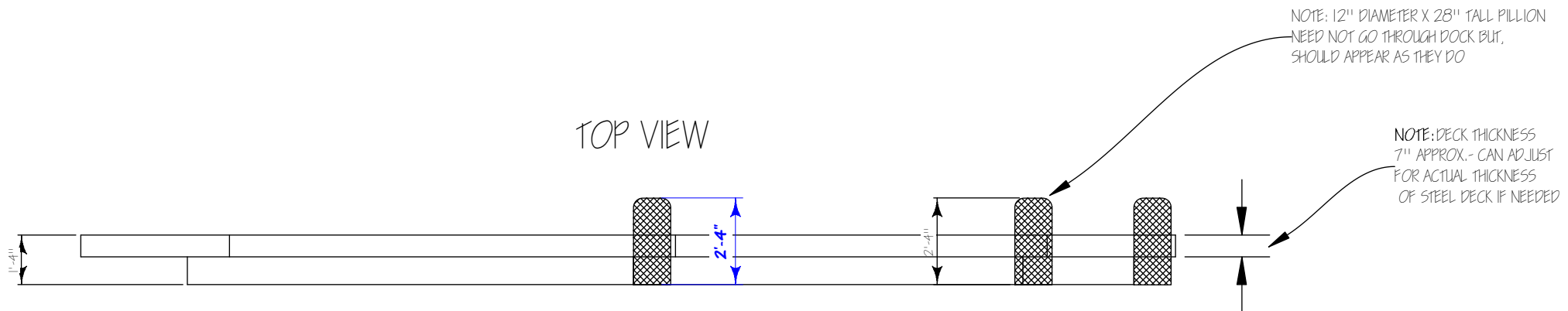
BIG RIVER
SHED UNIT

| | |
|---------------------|----------------------|
| Date #: | TD 14 |
| Designer: | MARK VARNIS |
| Director: | CODY WALKER |
| Technical Director: | TOM FAGERHOLM |
| Draftsman: | TKF & MKV |
| Date: | 6/11/15 |
| Scale: | 1/2"=1'-0" |



FRONT VIEW

40" DOCK PLATFORM US



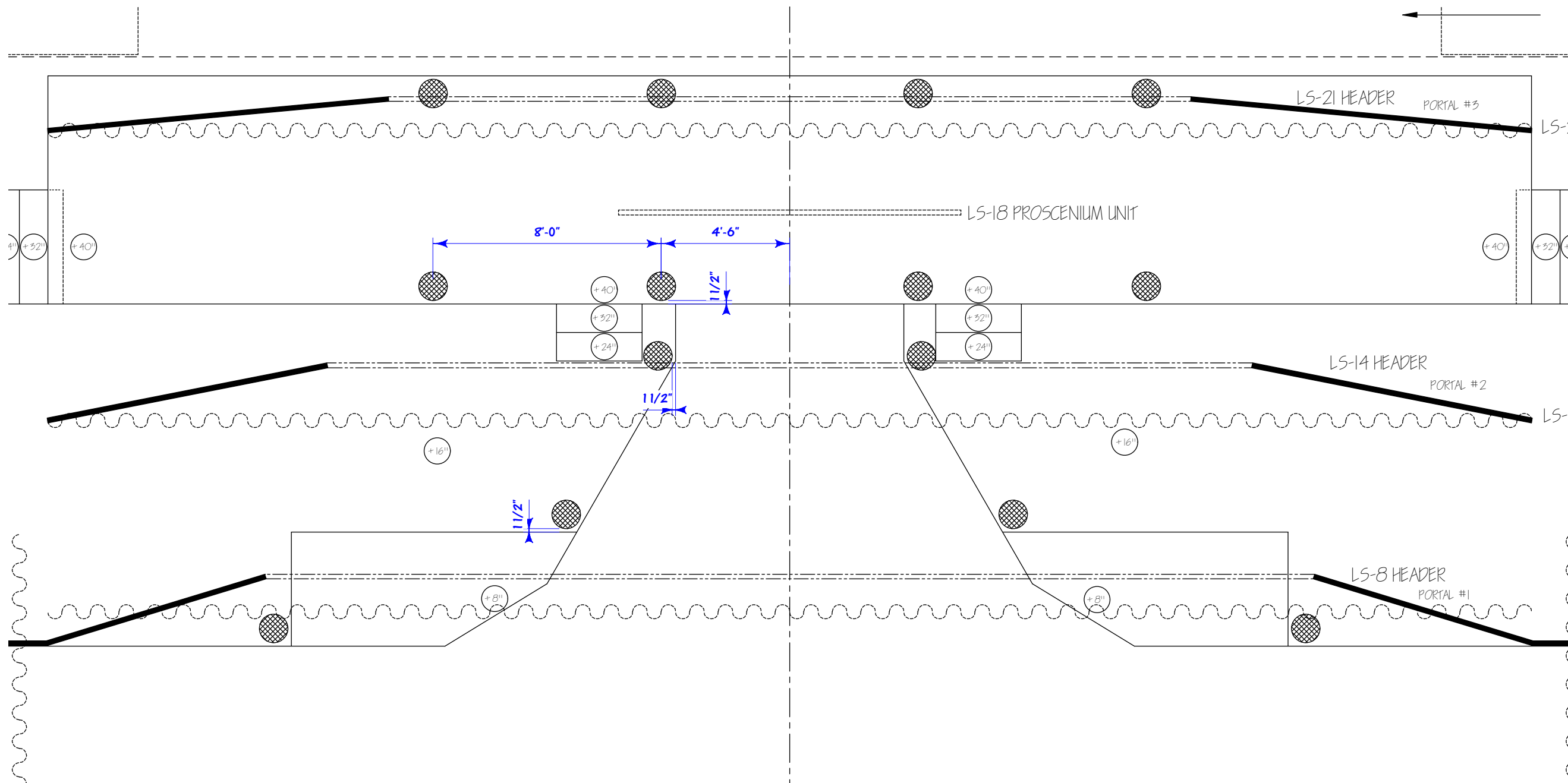
TOP VIEW

FRONT VIEW

16" DOCK PLATFORM SR SL IS REVERSE & REPEAT

BIG RIVER
Pylons

| | |
|---------------------|----------------------|
| DATE #: | TD 15 |
| Designer: | MARK VARNS |
| Director: | CODY WALKER |
| Technical Director: | TOM FAGERHOLM |
| Draftsman: | TKF & MKV |
| Date: | 6/15/15 |
| Scale: | 1/4"=1'-0" |



SIU
CARBONDALE

BIG RIVER
Pylon Layout

| | |
|---------------------|----------------------|
| Date #: | TD 16 |
| Designer: | MARK VARNIS |
| Director: | CODY WALKER |
| Technical Director: | TOM FAGERHOLM |
| Draftsman: | TKF & MKV |
| Date: | 6/15/15 |
| Scale: | 1/4"=1'-0" |