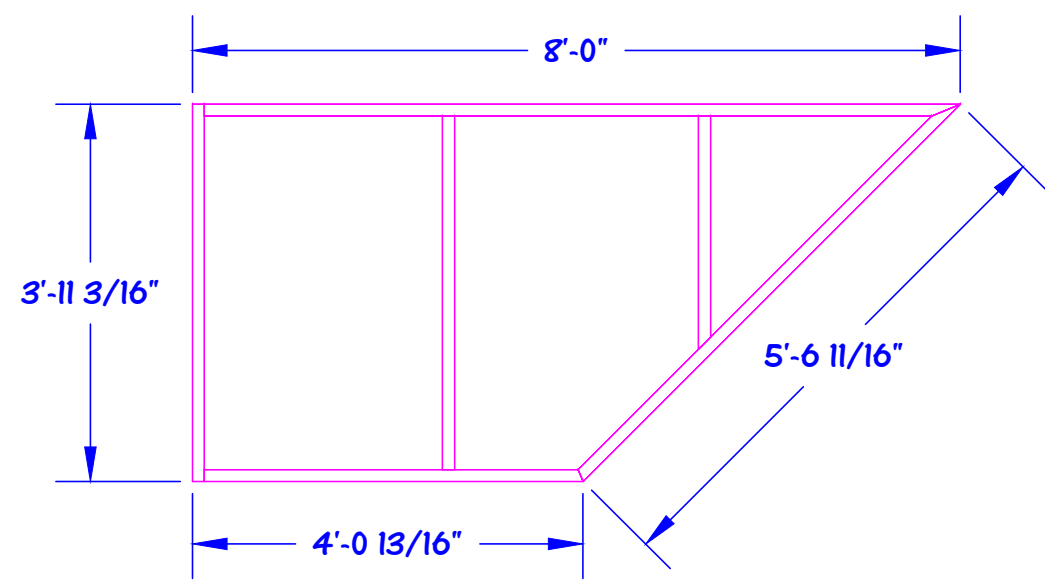
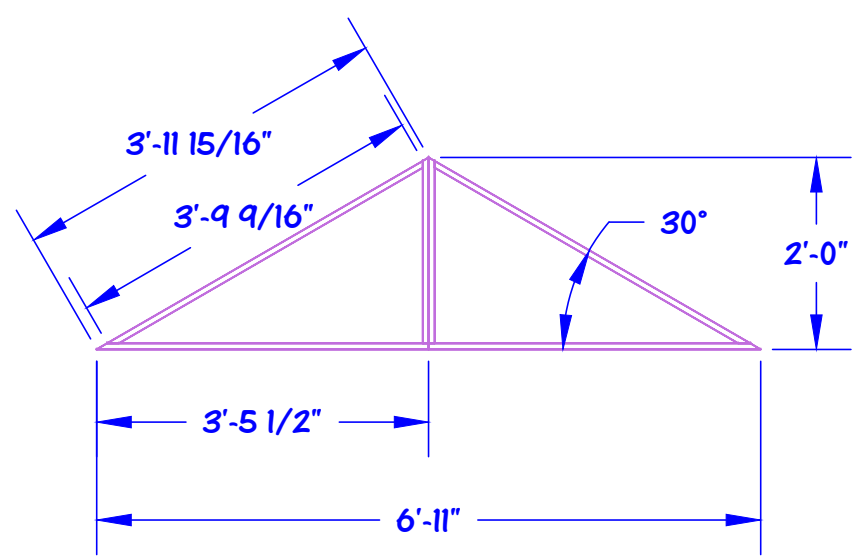


2 TOP VIEW WALL TOPS
 TD6 1/2"=1'-0"

3 ISOMETRIC
 TD6 1/2"=1'-0"



1 FRONT ELEVATION WALL TOPS
 TD6 1/2"=1'-0"

3 PLATFORMS
 TD6 1/2"=1'-0"

NOTES:

BUILD 2 TOPS
 1X4 CONSTRUCTION
 GLUE & MED. CROWN STAPLES
 FACE WITH 1/4" LUAN

BUILD 2 PLATFORMS (R&R)
 DECK WITH 3/4" OSB & 1/8" MASO

CUT LIST TRIANGLE TOPS:
 1X4

CUT LIST PLATFORM:
 2X4

CENTENARY STAGE COMPANY
 SPRING 2014
 SITNIK THEATRE

UPPER WALLS
 DIRECTOR: **C. WALLNAU**

INVENTORY CODE: INVENTORY	
DWG BY: TKF	TECH DIRECTOR: T. FAGERHOLM
DATE: 1/28/2014	FILE: THE LIAR.DWG
REV 1: N/A	REV 2: N/A
DESIGNER: B. PHILLIPS	SCALE: 1/2"=1'-0"

TD6

2/2/2014