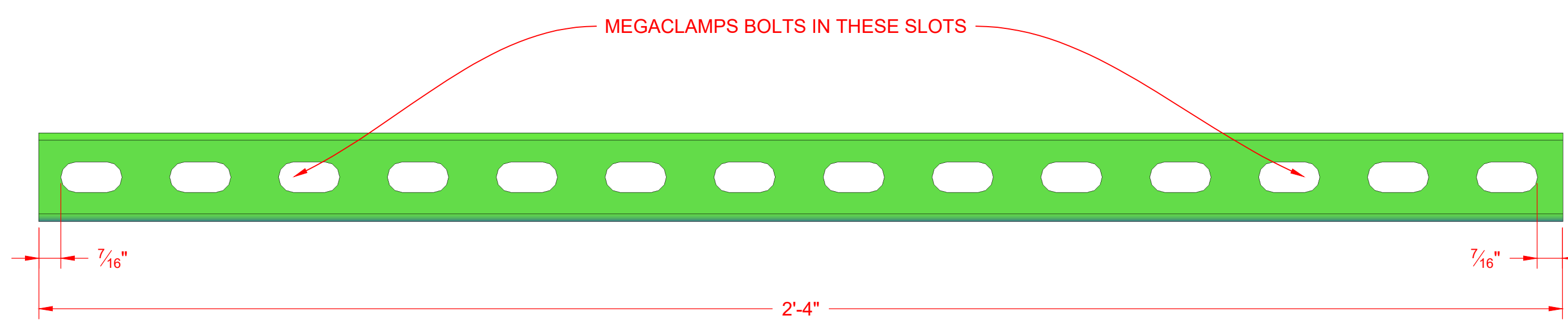
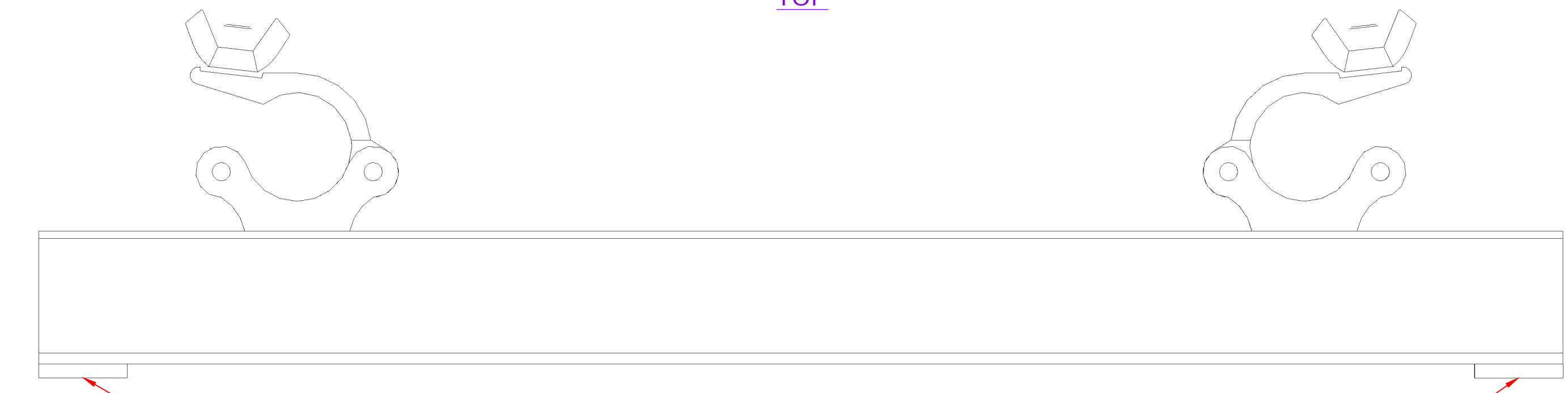


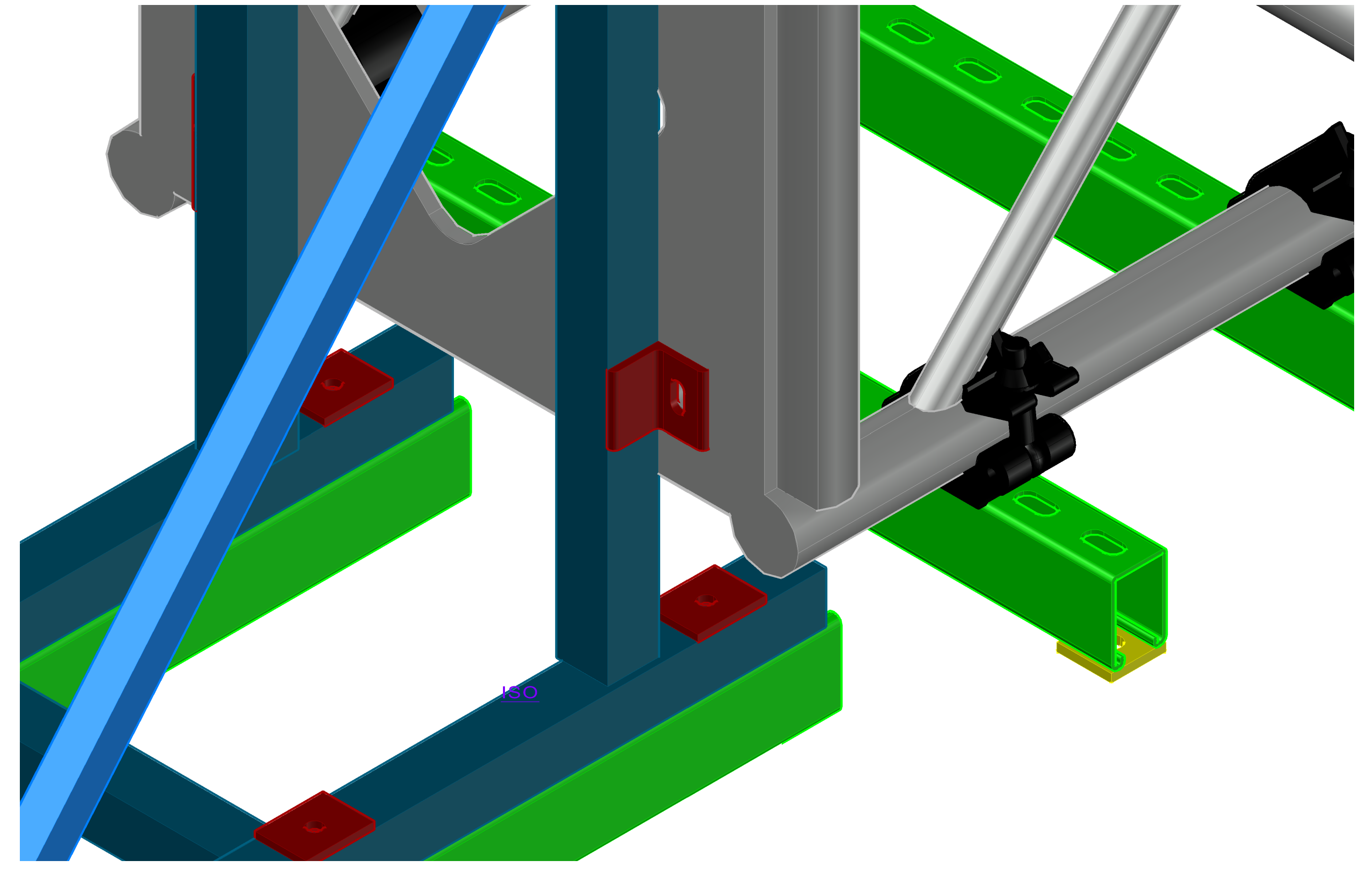
TOP



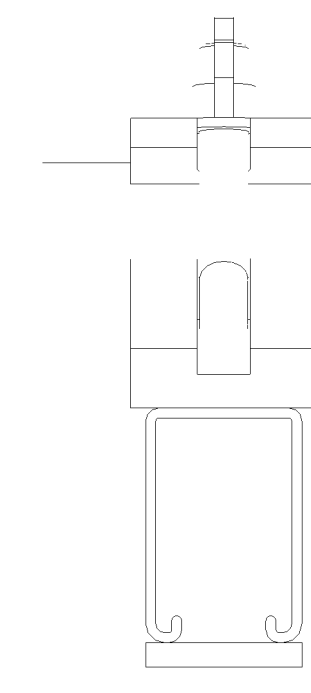
TOP



UNISTRUT WASHERS USED AS SAFETY STOPS





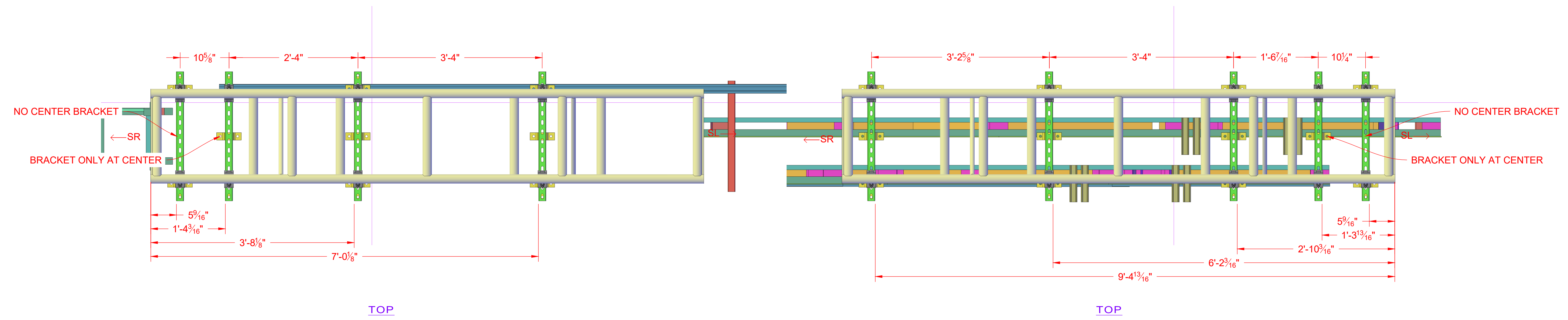
ISO



SIDE

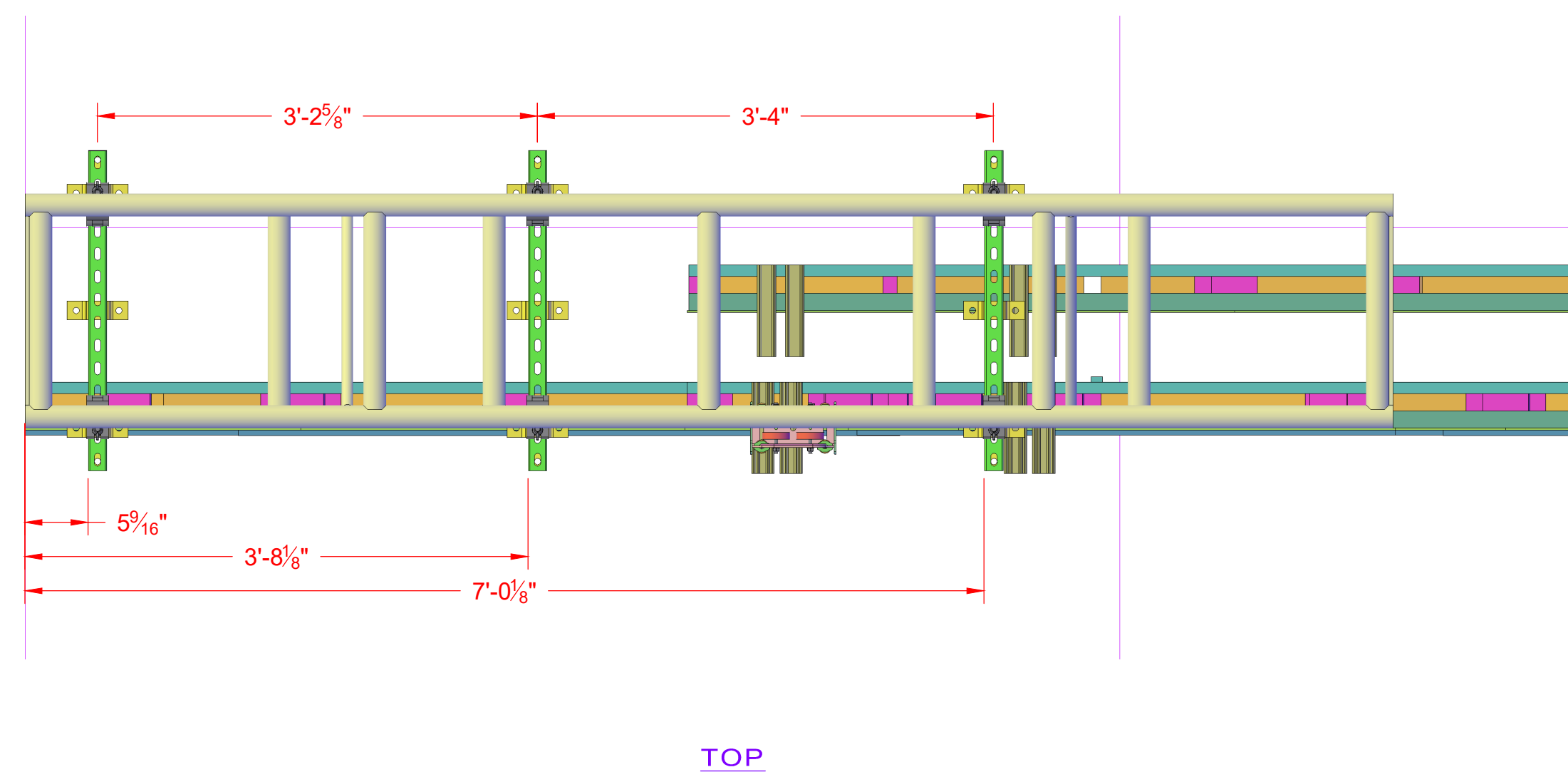
1 502	UNISTRUT ASSEMBLY	6"=1'-0"
	P5500T 2-7/17" SLOTTED 12GA UNISTRUT SLOT POSITIONS CRITICAL FOR MOUNTING TO TRUSS ADD UNISTRUT STOPS AT ENDS WITH 1/2" UNISTRUT WASHERS AND APPROPRIATE HARDWARE MAKE 26 ASSEMBLIES	

 <b>GUTHRIE THEATER</b> 818 South 2nd Street Minneapolis, MN 55415 Phone: (612) 225 - 6400	<b>A Christmas Carol</b> Wurtele Thrust		 <b>502</b>
	###	UNISTRUT ASSEMBLY	
	DIRECTOR	Joseph Haj	
	DESIGNER	Matt Saunders	
	TECH DIR:	Jim Gangl ATD: ATD	
	DWG BY:	TKF	
DWG DATE:	2/10/2022	PLT DATE:	10/19/2021
REV DATE:			
SCALE:	AS NOTED		
FILE: 501 - Tracking Walls Truss Structure.dwg			





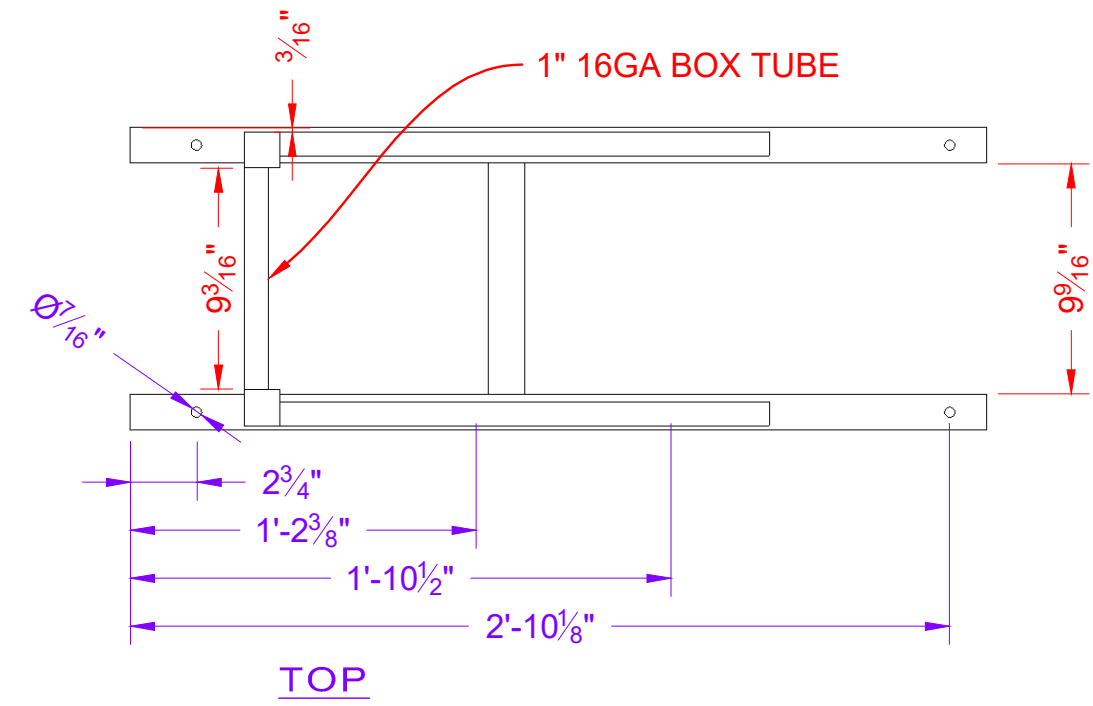
1 STAGE RIGHT END TRUSS: UNISTRUT BRACKET INSTALLATION  
 503 DIMENSIONS ARE APPROXIMATE  
 FINAL PLACEMENT IS DEFERRED TO LEAD RIGGER  
 EXTRA UNISTRUT PLACED WITH CENTER BRACKET ONLY  
 1"=1'-0"

2 STAGE LEFT END TRUSS: UNISTRUT BRACKET INSTALLATION  
 503 DIMENSIONS ARE APPROXIMATE  
 FINAL PLACEMENT IS DEFERRED TO LEAD RIGGER  
 EXTRA UNISTRUT PLACED WITH CENTER BRACKET ONLY  
 1"=1'-0"

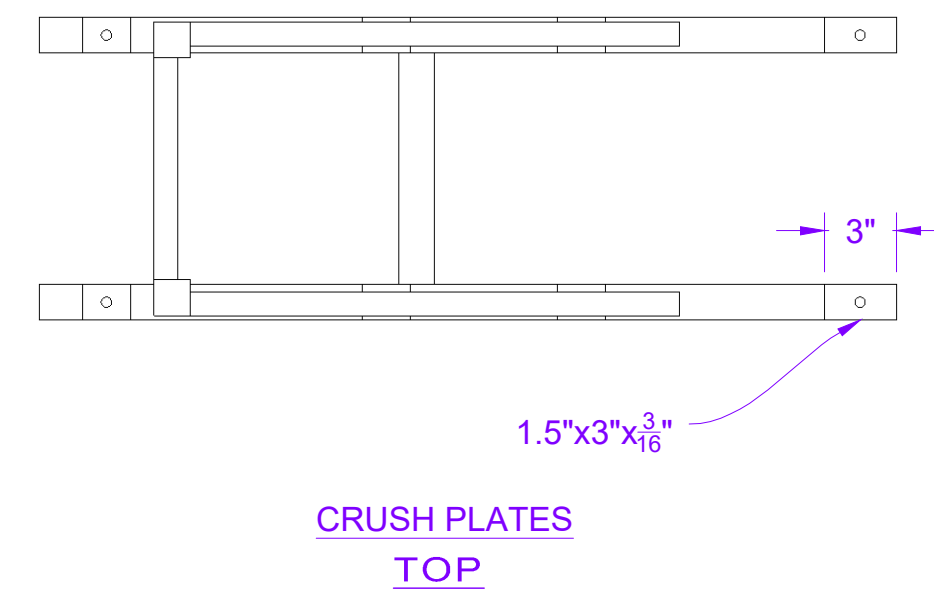


3 CENTER TRUSS SECTIONS: UNISTRUT BRACKET INSTALLATION  
 503 DIMENSIONS ARE APPROXIMATE  
 FINAL PLACEMENT IS DEFERRED TO LEAD RIGGER  
 EXTRA UNISTRUT PLACED WITH CENTER BRACKET ONLY  
 1"=1'-0"

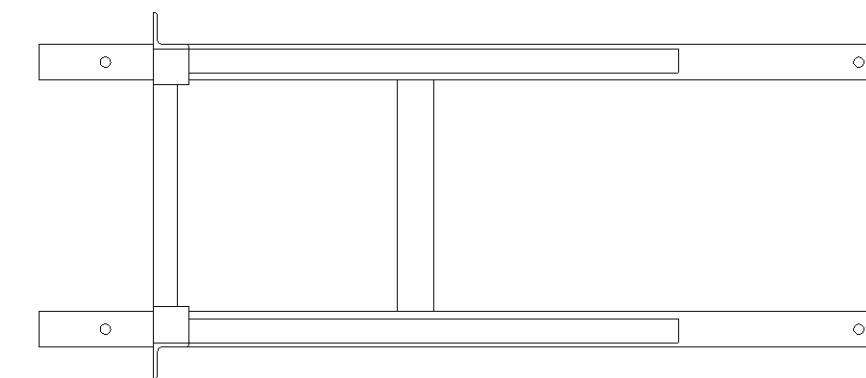
 <b>GUTHRIE THEATER</b> 818 South 2nd Street Minneapolis, MN 55415 Phone: (612) 225 - 6400	<b>A Christmas Carol</b>		 <b>503</b>
	Wurtele Thrust		
	UNISTRUT INSTALLATION		
	DIRECTOR: Joseph Haj		
	DESIGNER: Matt Saunders		
	TECH DIR: Jim Gangl	ATD: ATD	
	DWG BY: TKF		
	DWG DATE: 2/10/2022	PLOT DATE: 10/20/2021	
	REV DATE:		
	SCALE: AS NOTED		
FILE: 501 - Tracking Walls Truss Structure.dwg			



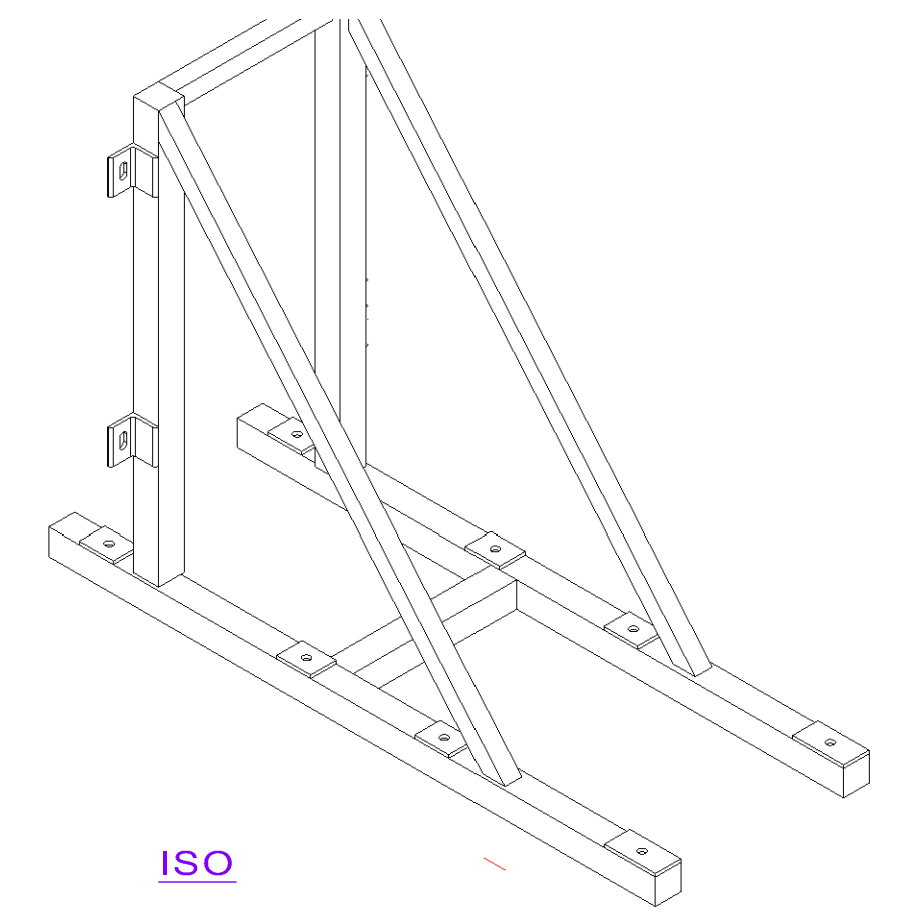
TOP



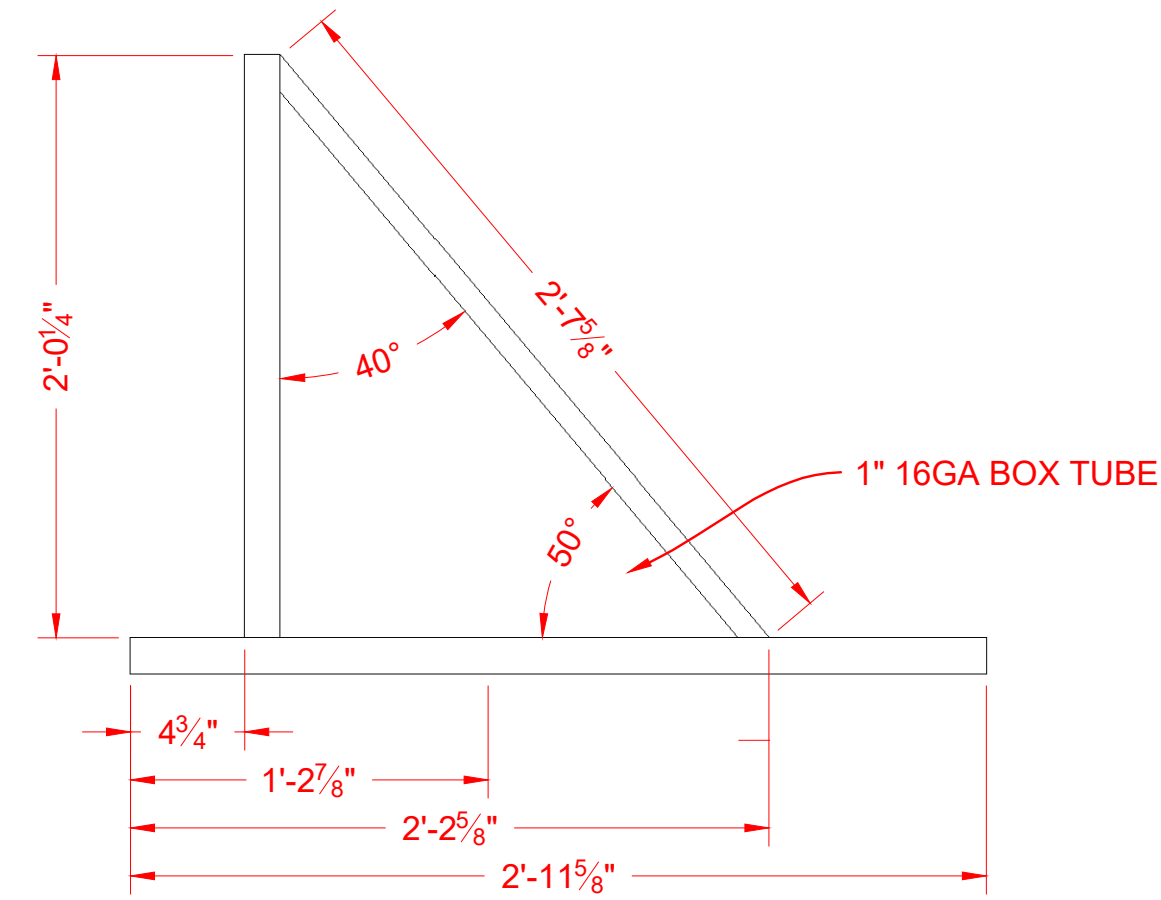
CRUSH PLATES  
TOP



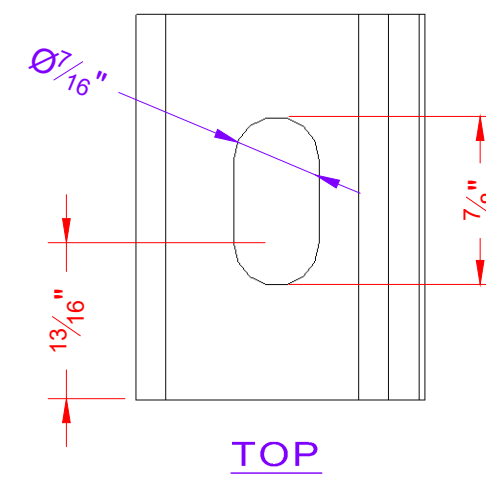
TOP



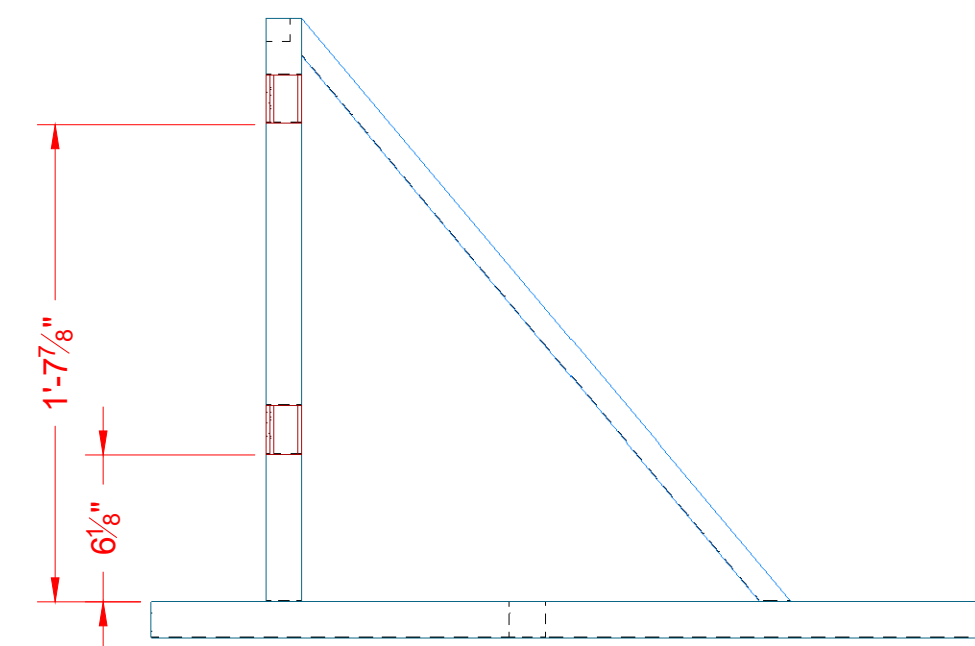
ISO



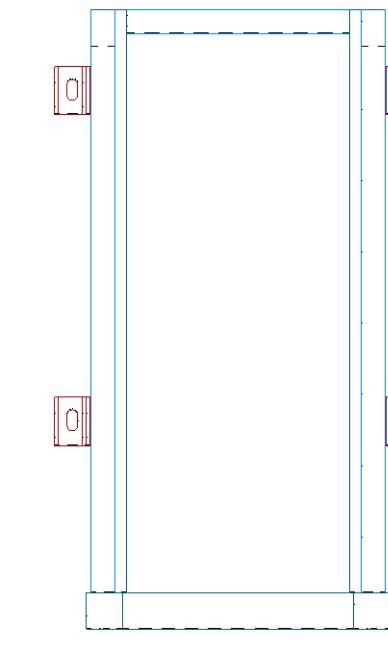
FRONT



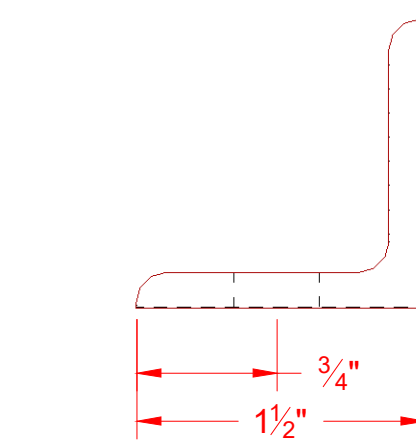
TOP



FRONT



SIDE



FRONT

SIDE

1 WALL 3 MOTOR MOUNT (STAGE LEFT: CENTER MOTOR) : FRAME  
504 1.5" 16GA BOX TUBE UNLESS OTHERWISE NOTED  
WELD ALL SIDES WHERE POSSIBLE  
DRILLED HOLES ARE 7/16" FOR 3/8" HW  
CRUSH PLATES ALL 1.5"x2"x3/16" UNLESS NOTED

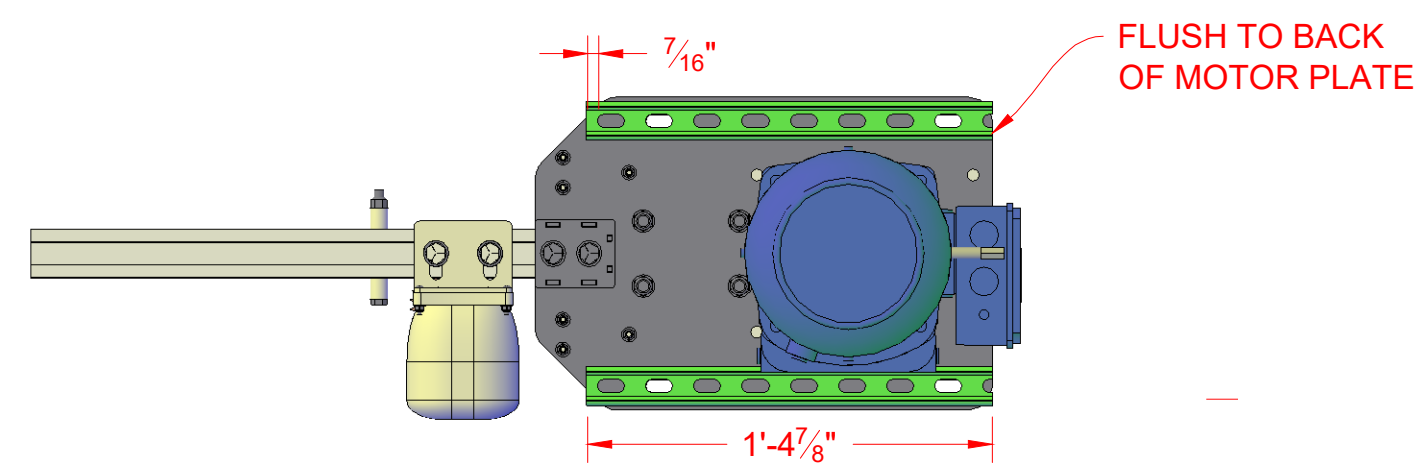
1-1/2"=1'-0"

2 ANGLE TABS FOR WALL 3 MOTOR MOUNT  
504 1.5" x 3/16" ANGLE  
7/16" SLOTTED HOLE  
SLOT CENTERED ON ANGLE

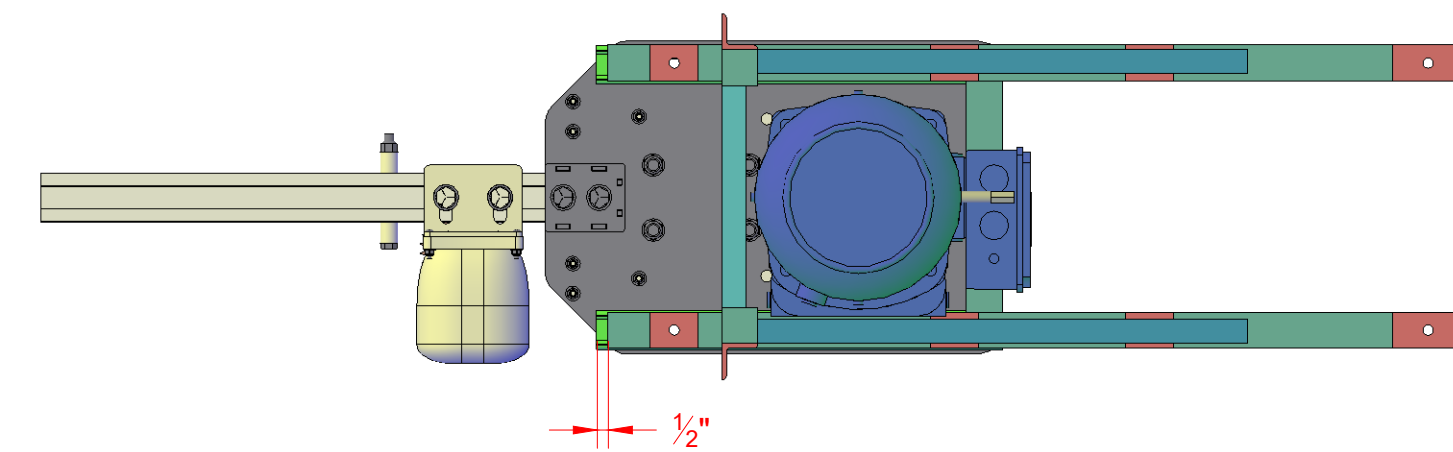
FULL

3 WALL 3 MOTOR MOUNT: ANGLE PLACEMENT  
504 WELD AT LEAST THREE SIDES OF ANGLE (TOP, BOTTOM, BACK)  
TABS ARE FLUSH TO STEEL VERTICALS

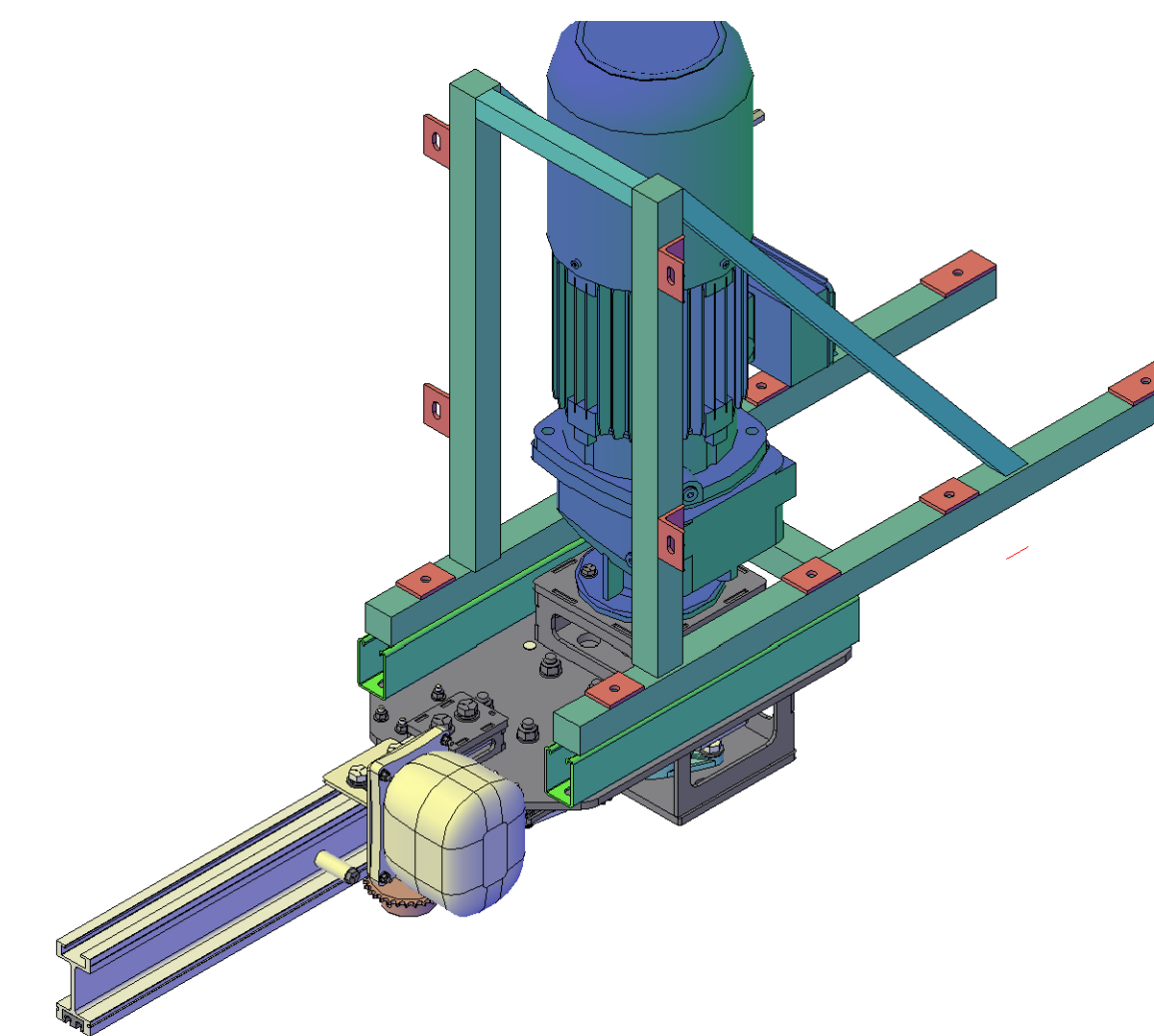
1-1/2"=1'-0"



TOP



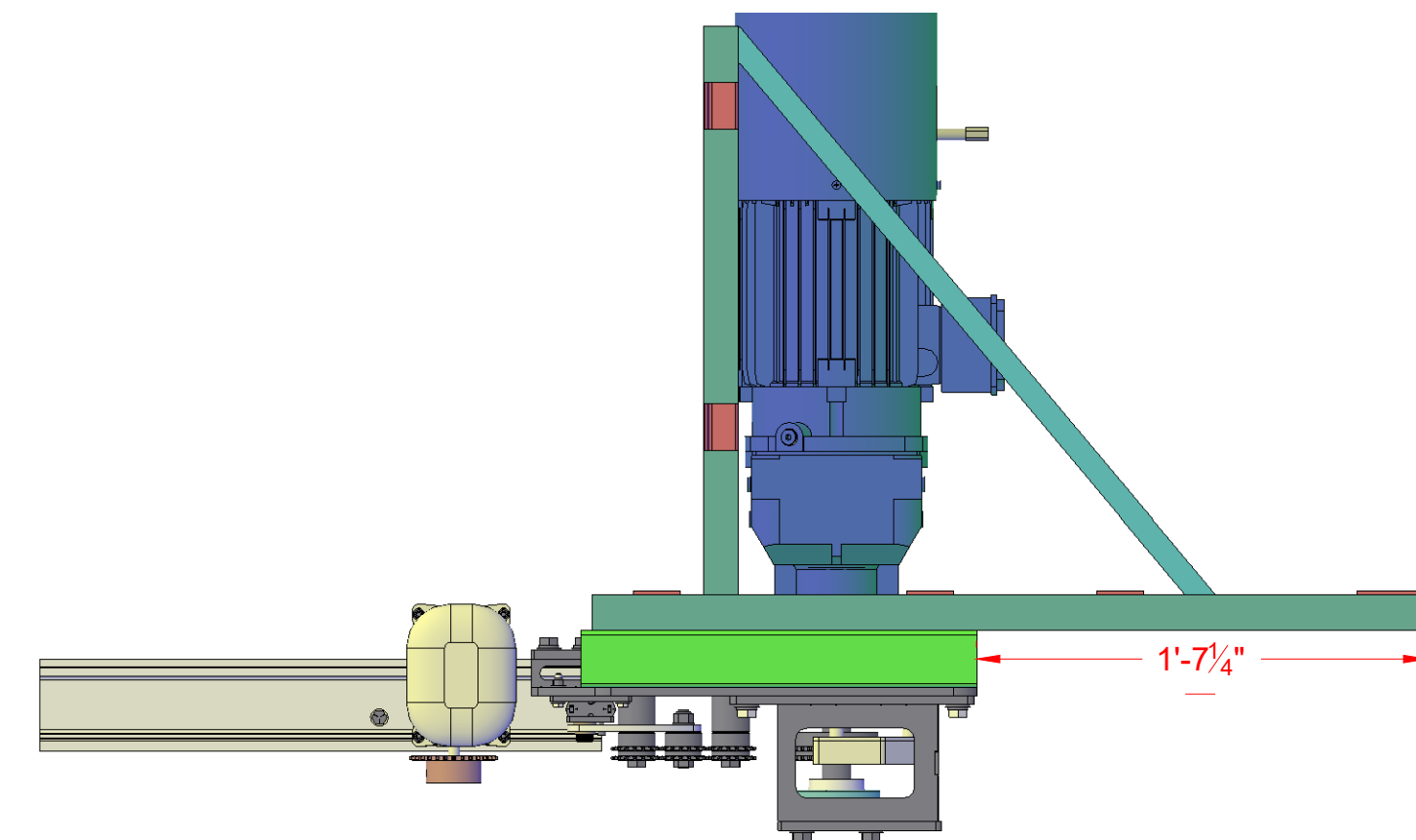
TOP



ISO

4 WALL 3 MOTOR MOUNT (STAGE LEFT: CENTER MOTOR)  
504 P5500T 2-7/17" SLOTTED 12GA UNISTRUT  
MOUNT TO SLOTTED HOLES IN PLATEWORK  
CUT DOWN MISS-CUT UNISTRUT  
USE 1/2" HARDWARE FOR BOLT CONNECTIONS

1-1/2"=1'-0"



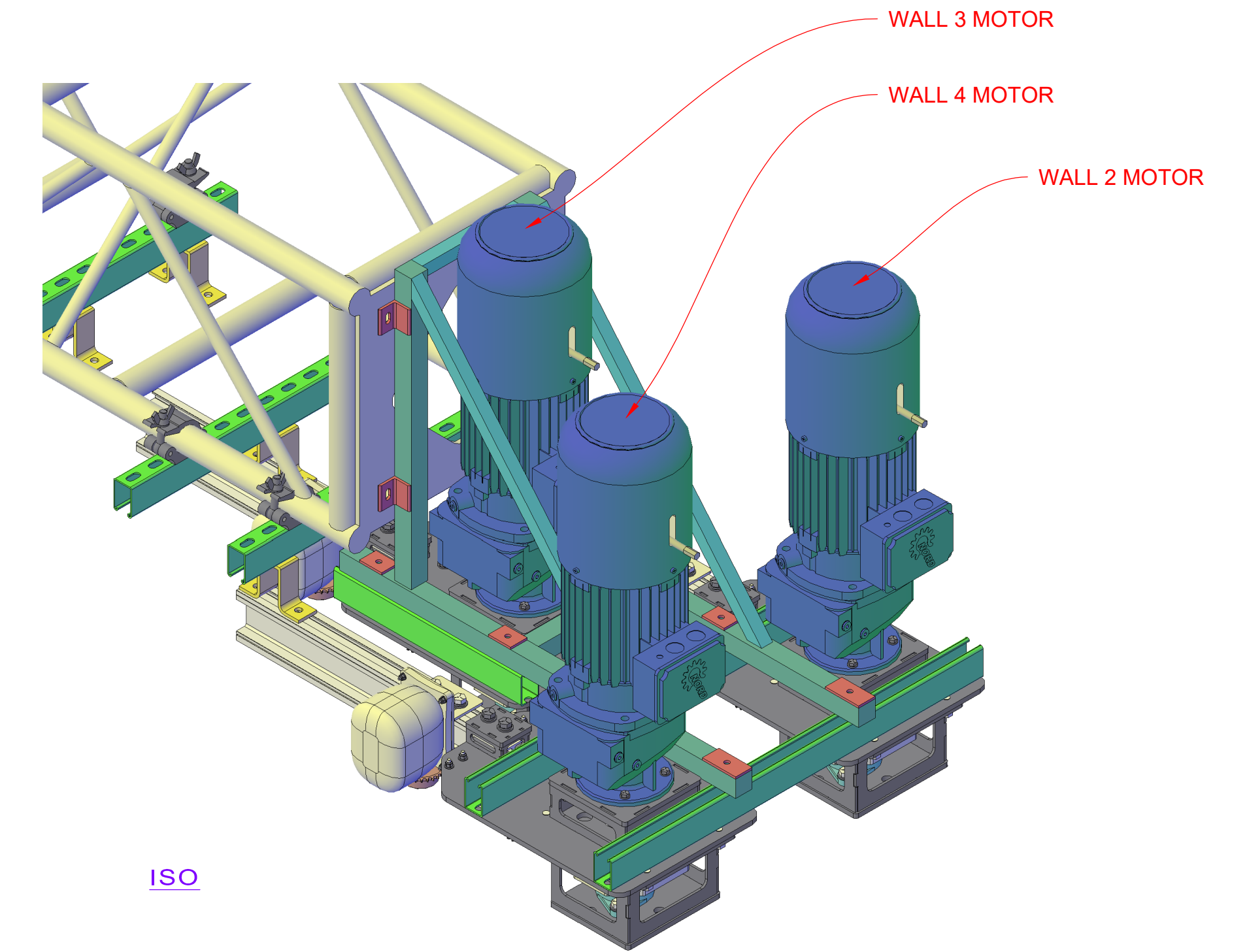
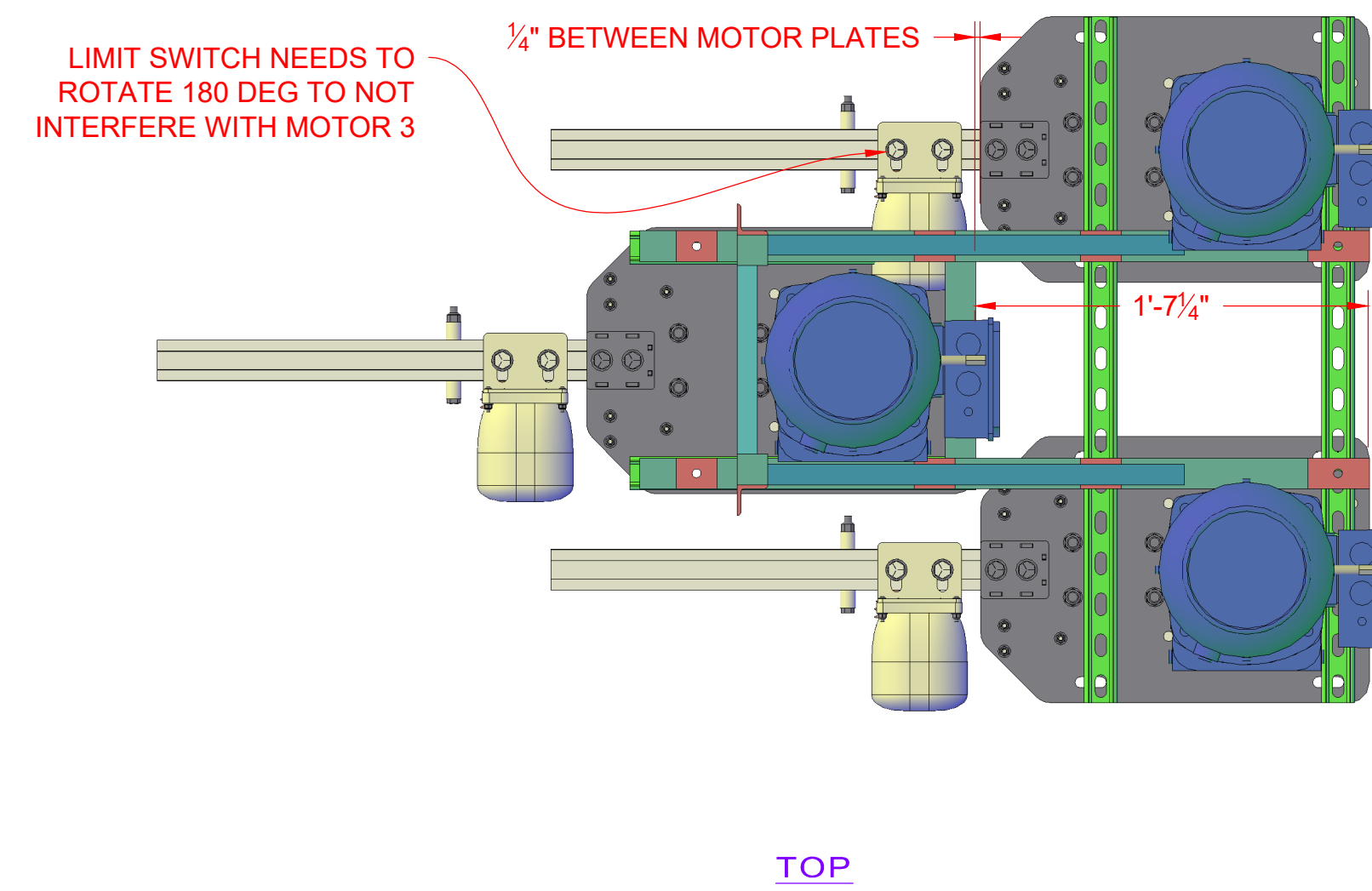
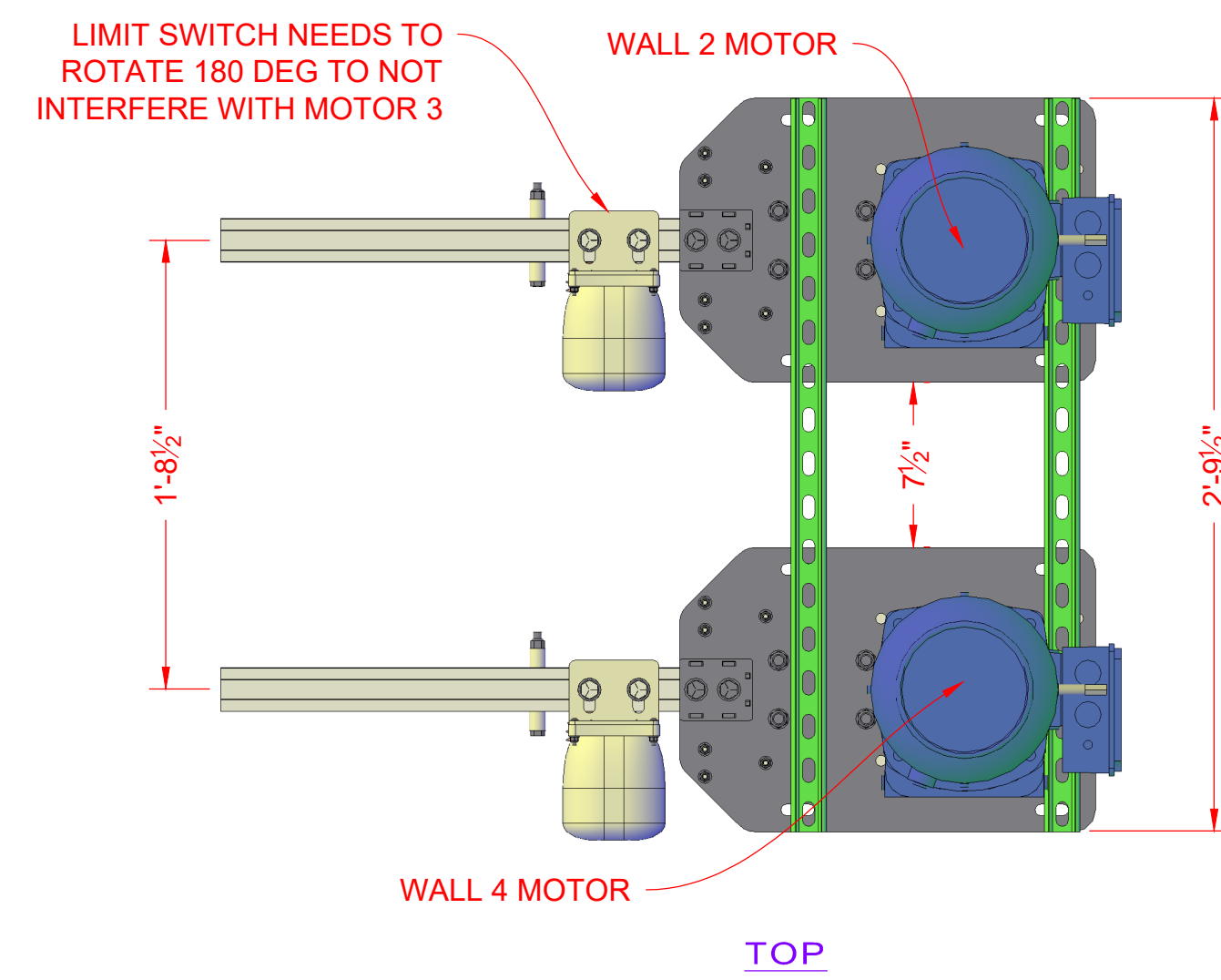
FRONT

5 WALL 3 MOTOR MOUNT (STAGE LEFT: CENTER MOTOR) : FRAME TO UNISTRUT MOUNTING  
504 BOLT FRAME TO UNISTRUT WITH 3/8" HARDWARE  
SEE POSITIONING DIMS

1-1/2"=1'-0"

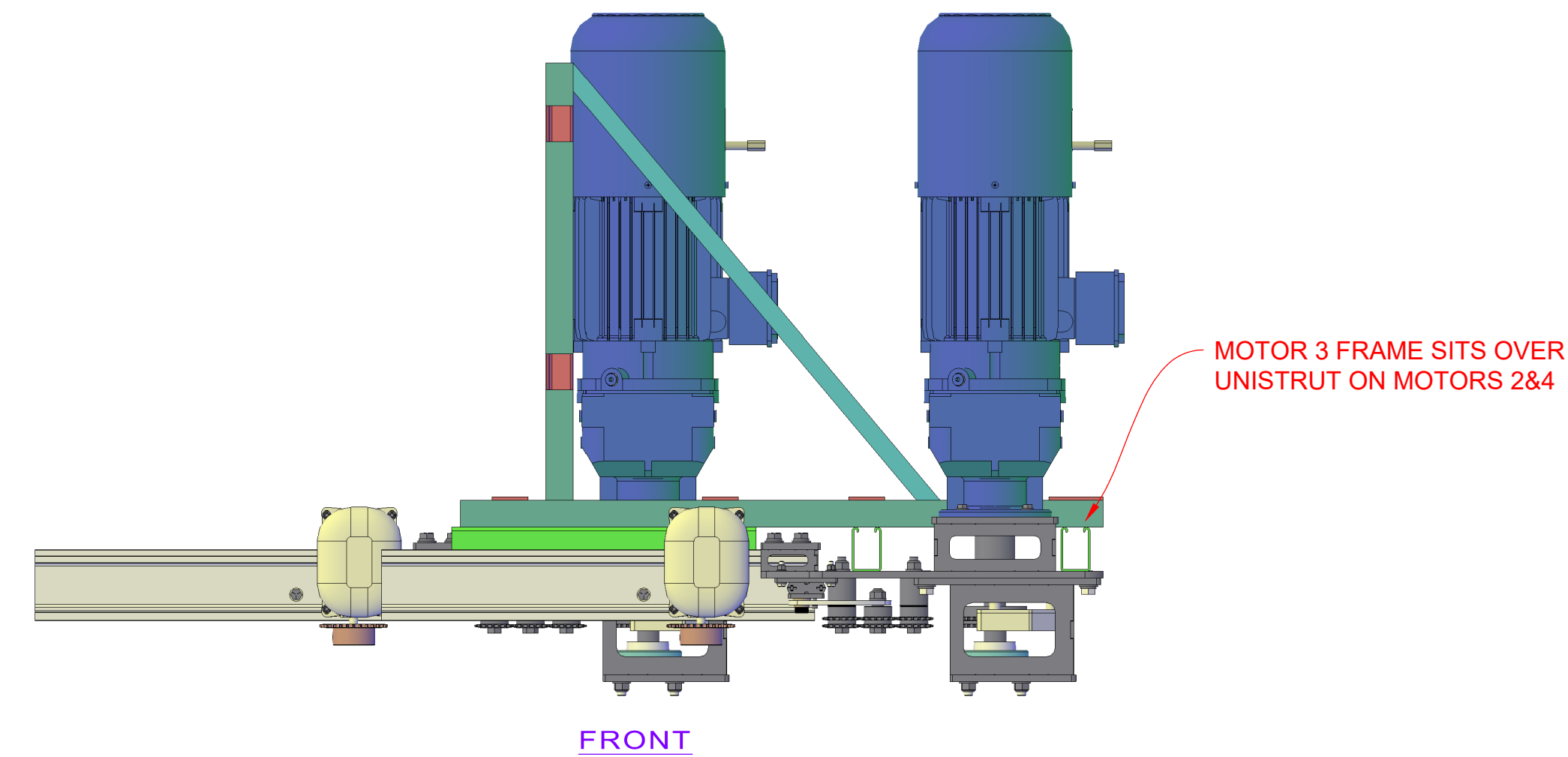
<p><b>GUTHRIE THEATER</b></p> <p>818 South 2nd Street Minneapolis, MN 55415 Phone: (612) 225 - 6400</p>	<p><b>A Christmas Carol</b></p> <p>Wurtele Thrust</p>		<p><b>504</b></p>		
	###	WALL 3 MOTOR MOUNT			
	DIRECTOR	Joseph Haj			
	DESIGNER	Matt Saunders			
	TECH DIR	Jim Gangl ATD			
	DWG BY	TKF			
	DWG DATE	2/10/2022		PLT DATE	10/25/2021
	REV DATE				
	SCALE	AS NOTED			
	FILE	501 - Tracking Walls Truss Structure.dwg			







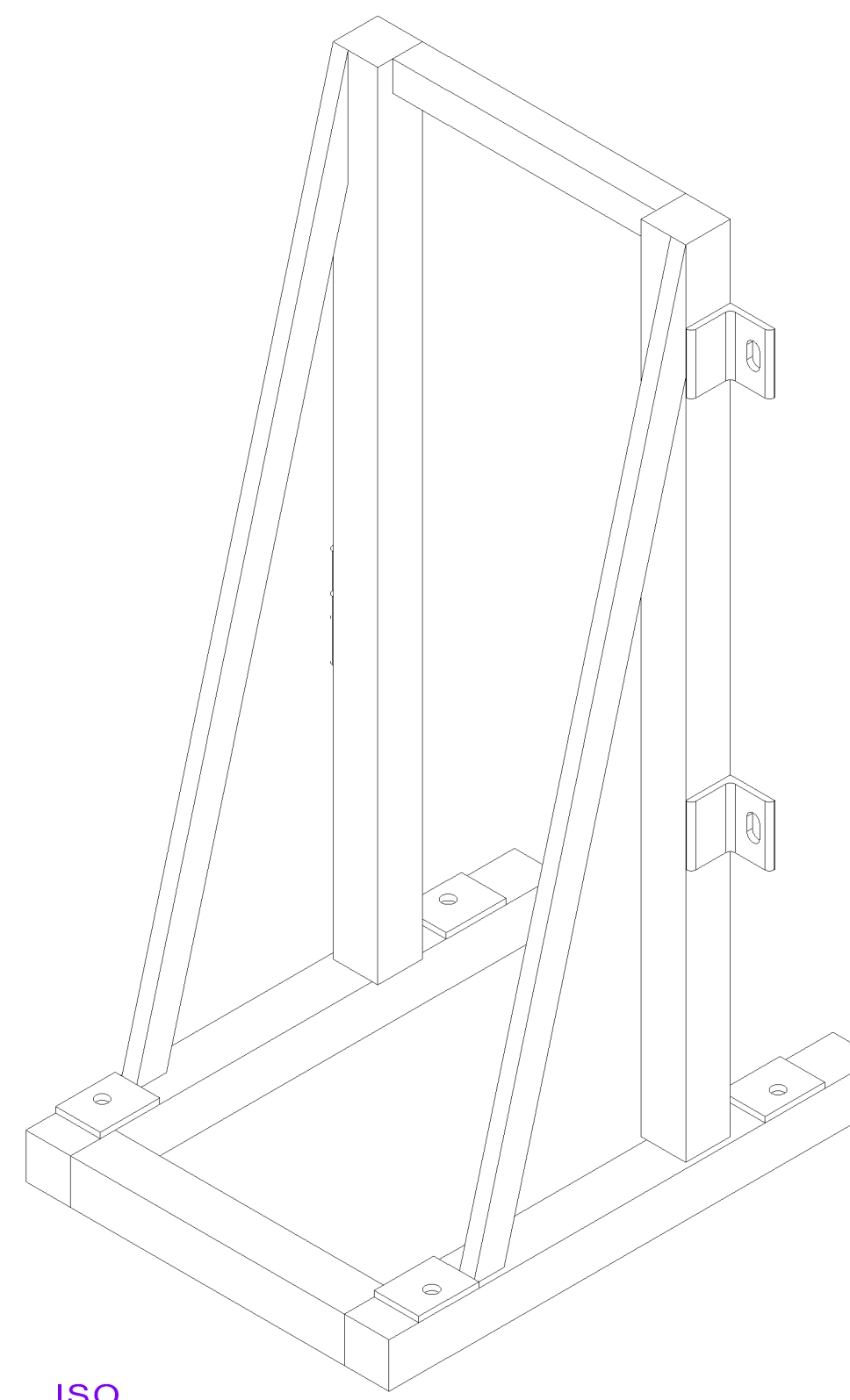
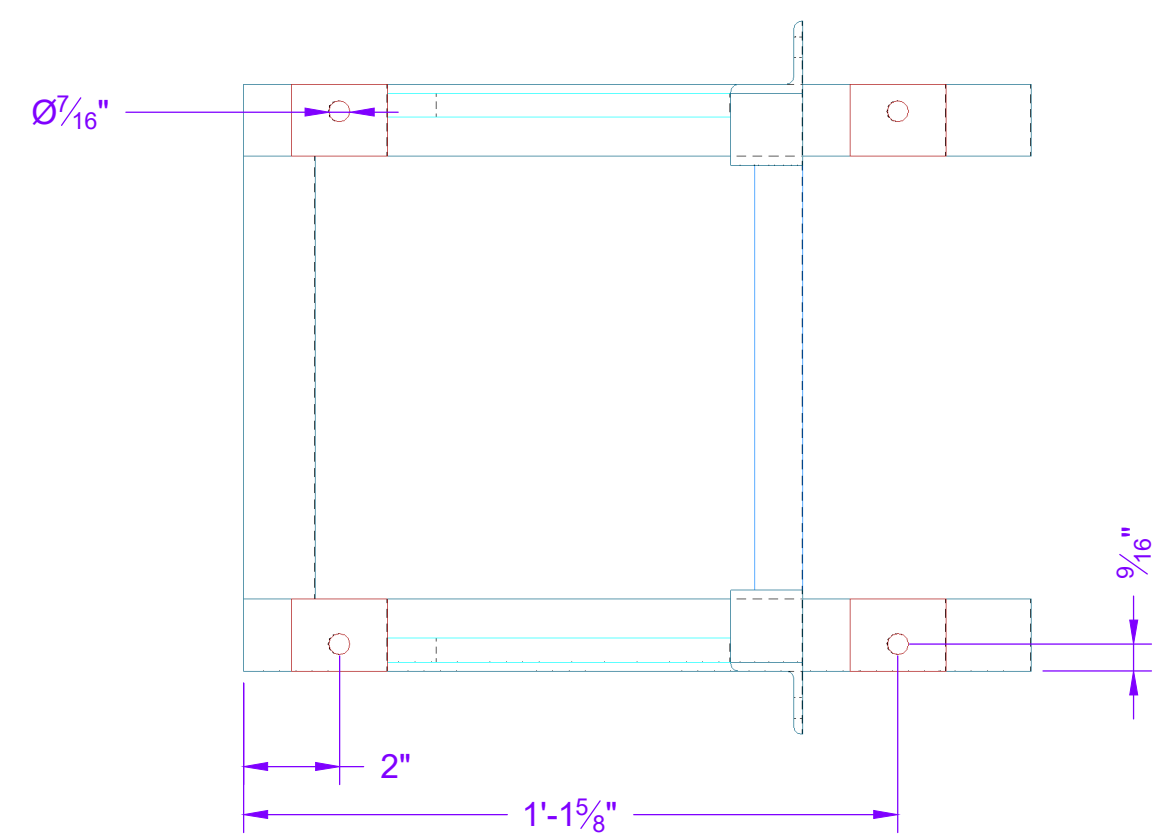
1 WALLS 2&4 MOTOR MOUNTS ( STAGE LEFT)  
 505 P5500T 2-7/16" SLOTTED 12GA UNISTRUT  
 MOUNT TO SLOTTED HOLES IN PLATEWORK  
 CUT DOWN MISS-CUT UNISTRUT  
 SOME SLOTS IN PLATEWORK MAY NOT LINE UP WITH UNISTRUT  
 DRILL UNISTRUT AS NEEDED TO LINE UP WITH PLATEWORK HOLES  
 1-1/2"=1'-0"

3 STAGE LEFT MOTOR ASSEMBLY  
 505 BOLT TOGETHER WITH 3/8" GRADE 5 HARDWARE AND UNISTRUT NUTS  
 ADD EYE BOLTS WHERE APPROPRIATE TO UNISTRUT FOR MOTOR PICK  
 NTS

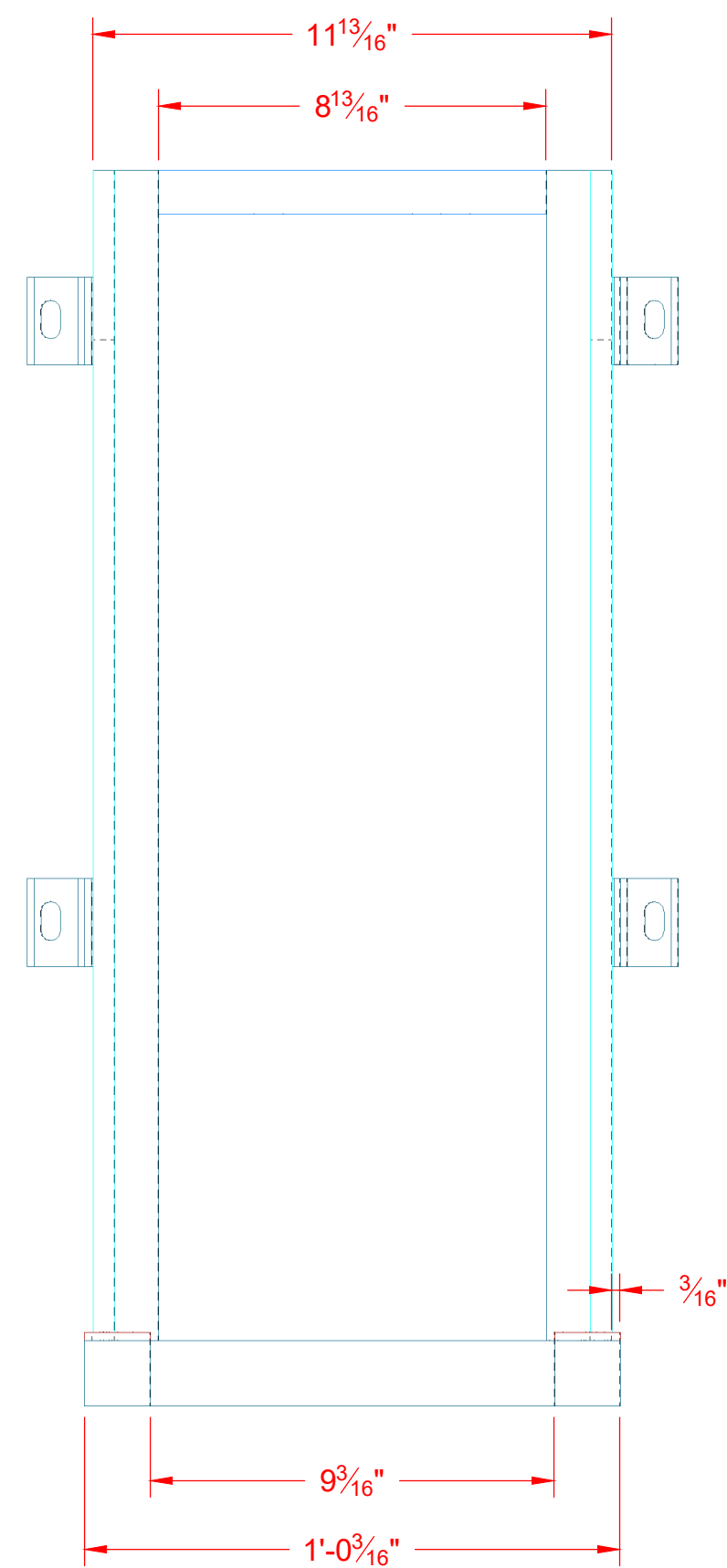
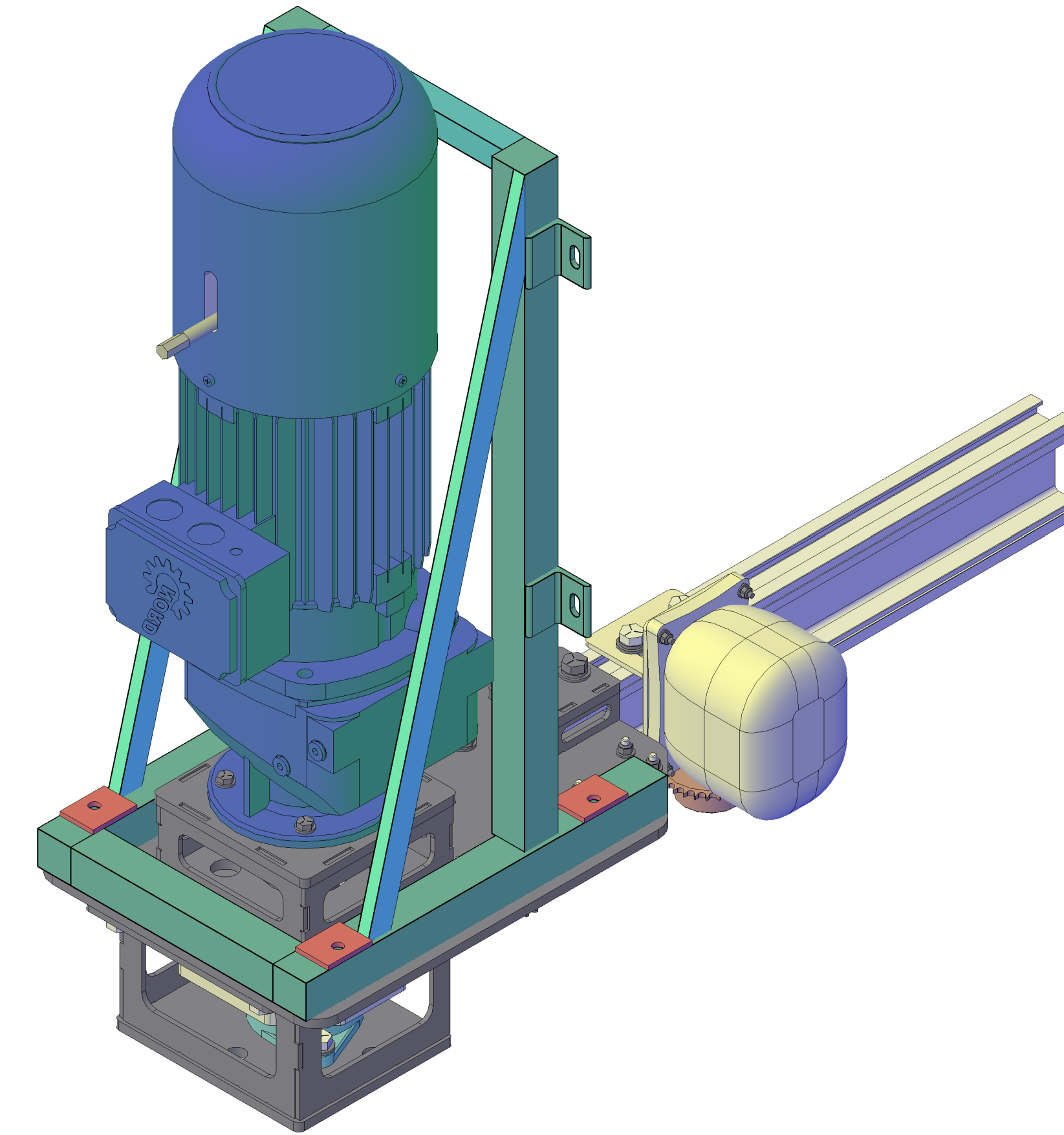


2 STAGE LEFT MOTOR ASSEMBLY  
 505 BOLT TOGETHER WITH 3/8" GRADE 5 HARDWARE AND UNISTRUT NUTS  
 SHOULDERED EYE BOLTS PLACED AS NEEDED ON UNISTRUT FOR MOTOR PICK  
 1-1/2"=1'-0"

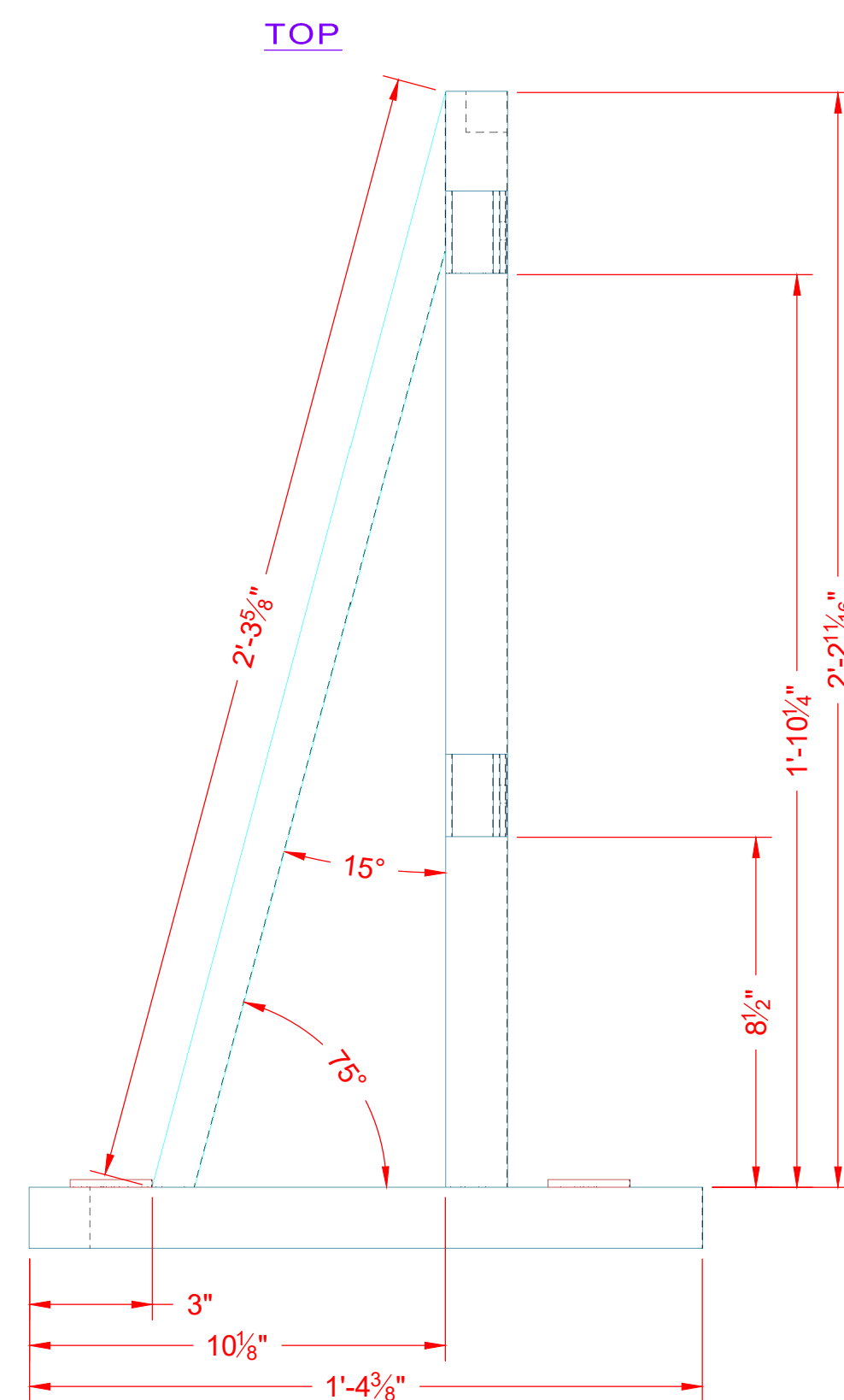
 <b>GUTHRIE THEATER</b> 818 South 2nd Street Minneapolis, MN 55415 Phone: (612) 225 - 6400	<b>A Christmas Carol</b>		 <b>505</b>	
	Wurtele Thrust			
	###	STAGE LEFT MOTOR ASSEMBLY		
	DIRECTOR:	Joseph Haj		
	DESIGNER:	Matt Saunders		
	TECH DIR:	Jim Gangl		ATD
	DWG BY:	TKF		
	DWG DATE:	2/10/2022		PLOT DATE: 10/25/2021
	REV DATE:			
	SCALE:	AS NOTED		
FILE 501 - Tracking Walls Truss Structure.dwg				



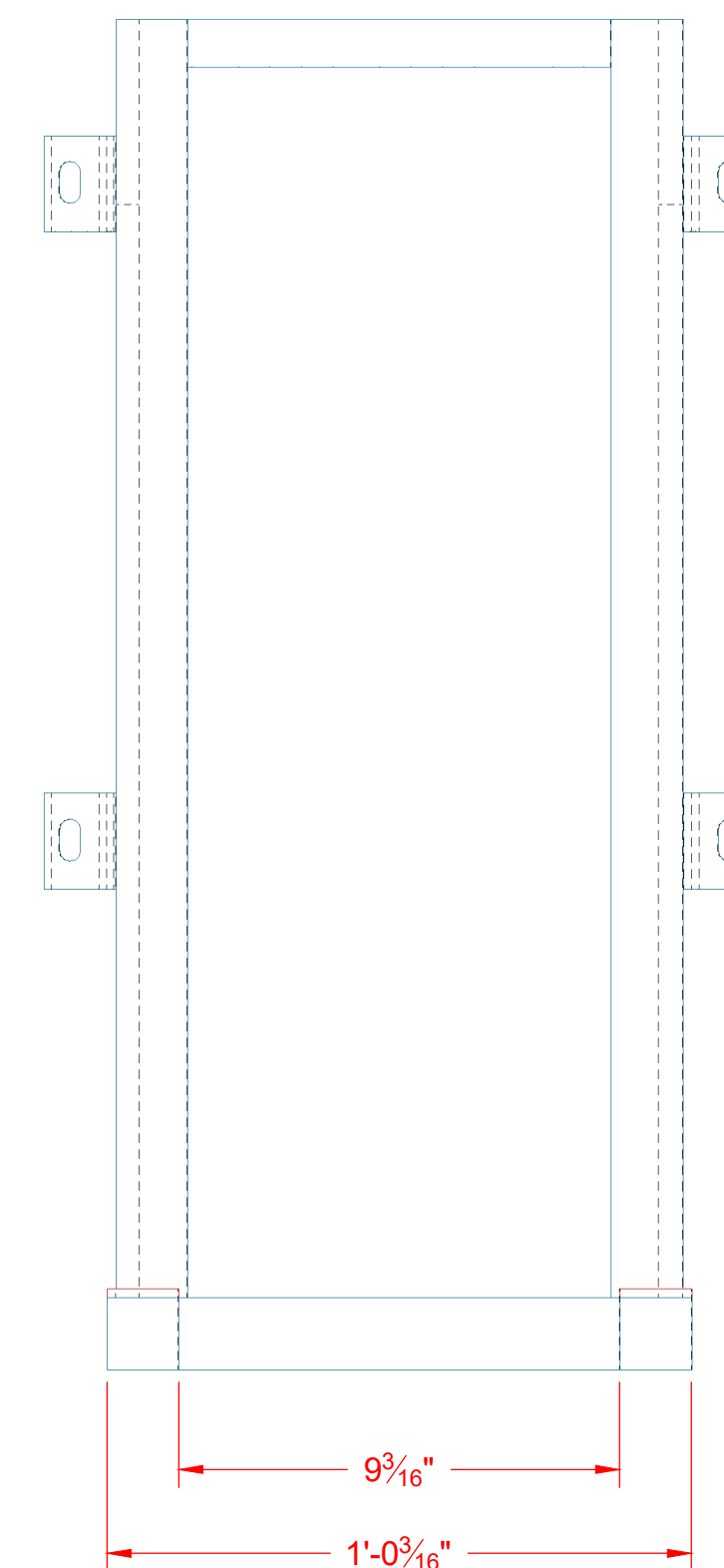
ISO



SIDE





FRONT



SIDE

3"=1'-0"

- 1 WALL 1 MOTOR MOUNT ( STAGE RIGHT ) : FRAME
- 506 1.5" 16GA BOX TUBE UNLESS OTHERWISE NOTED
- WELD ALL SIDES WHERE POSSIBLE
- DRILLED HOLES ARE 7/16" FOR 3/8" HW
- CRUSH PLATES: ALL 1.5"X2"X3/16" UNLESS NOTED
- CRUSH PLATES: HOLES ARE OFFSET

 <p><b>GUTHRIE THEATER</b></p> <p>818 South 2nd Street Minneapolis, MN 55415 Phone: (612) 225 - 6400</p>	<p><b>A Christmas Carol</b></p> <p>Wurtele Thrust</p>		 <p><b>506</b></p>	
	###	STAGE RIGHT MOTOR MOUNT		
	DIRECTOR:	Joseph Haj		
	DESIGNER:	Matt Saunders		
	TECH DIR:	Jim Gangl		ATD
	DWG BY:	TKF		
DWG DATE:	2/10/2022	PLOT DATE:	10/26/2021	
REV DATE:				
SCALE:	3"=1'-0"			
FILE:	501 - Tracking Walls Truss Structure.dwg			